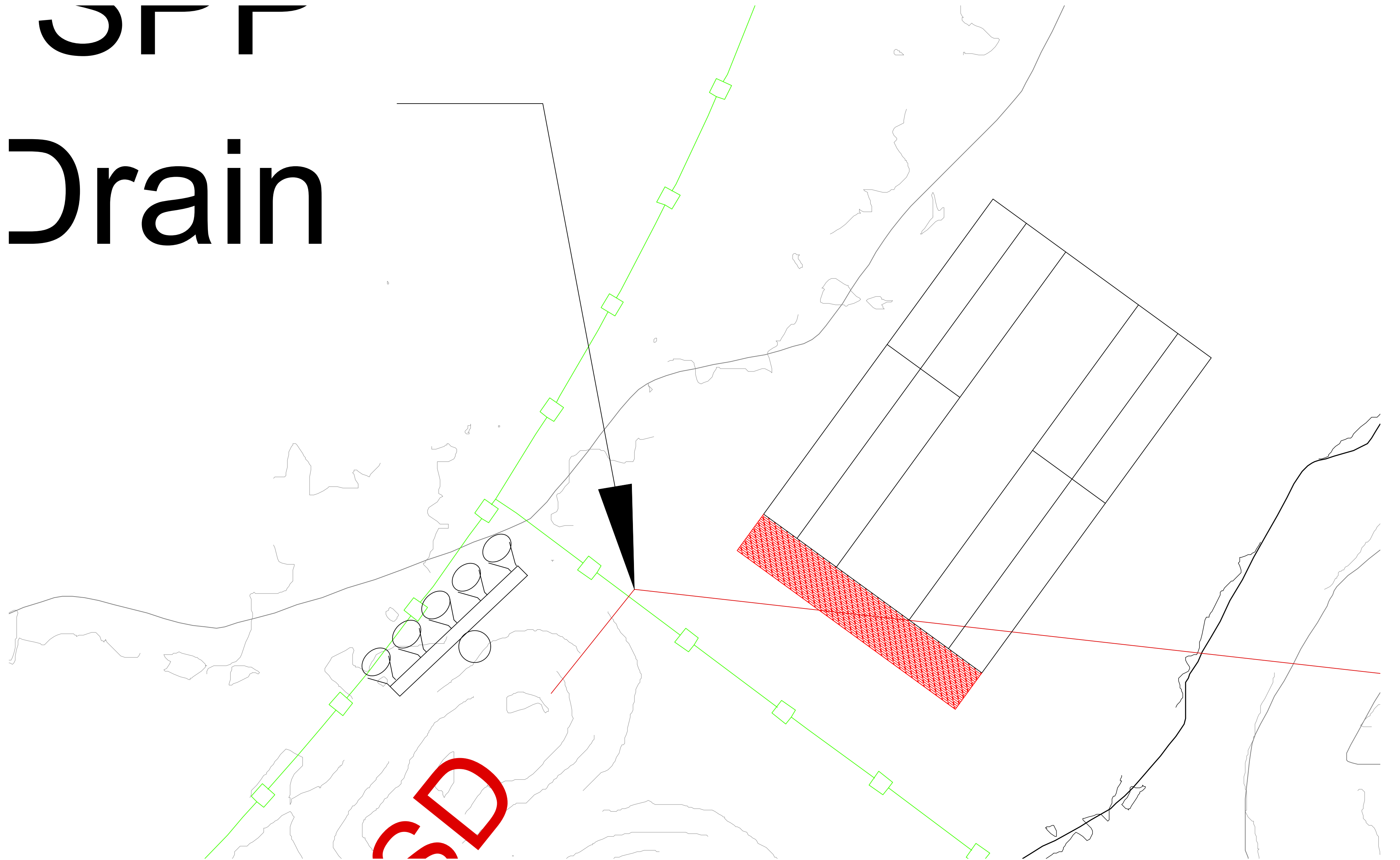


Drain



HUMBOLDT SKATEPARK COLLECTIVE

FORTUNA HALF PIPE

SCALE NTS

SITE PLAN

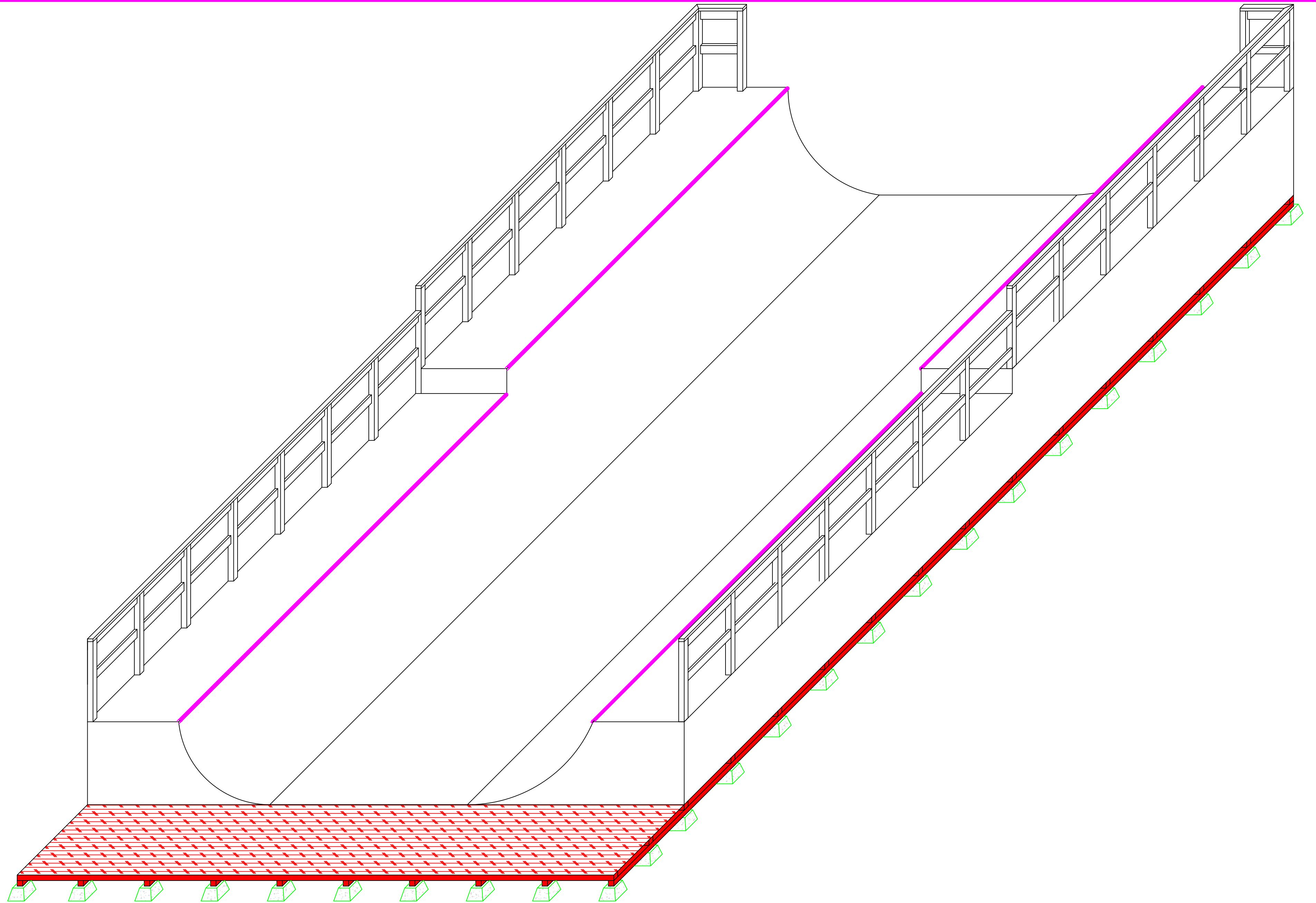
DATE 5/1/23

DRAWN BY: ZC

REV:1

PROJECT NUMBER

PAGE:1



HUMBOLDT SKATEPARK COLLECTIVE

FORTUNA HALFPIPE

SCALE: 1/4"=1'

COVER SHEET

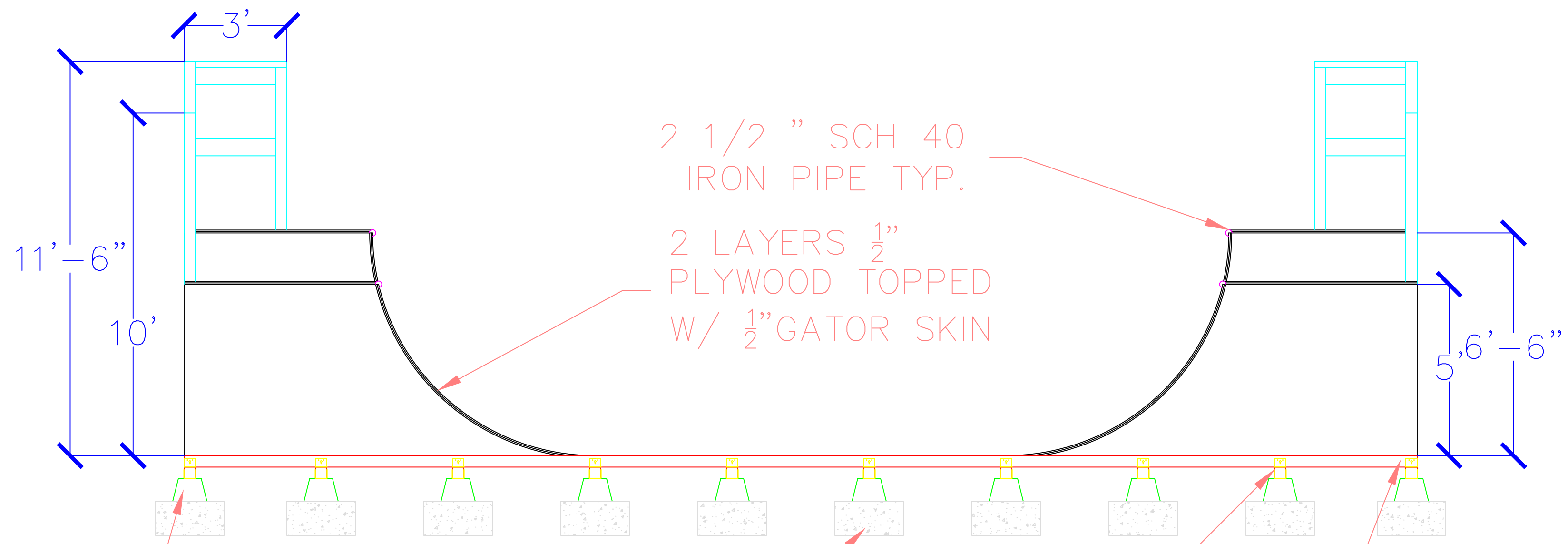
DATE: 5/1/23

DRAWN BY: ZC

REV: 1

PROJECT NUMBER

PAGE: 2



2 1/2 " SCH 40
IRON PIPE TYP.

2 LAYERS 1/2"
PLYWOOD TOPPED
W/ 1/2" GATOR SKIN

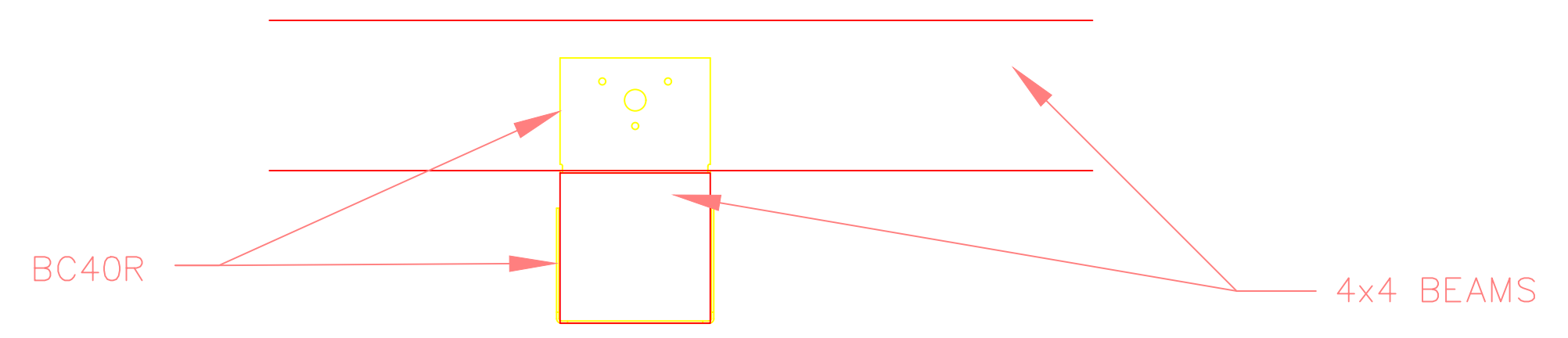
12" PIERBLOCK

2'x2'x12"
CONCRETE
FOOTING

DETAIL 1

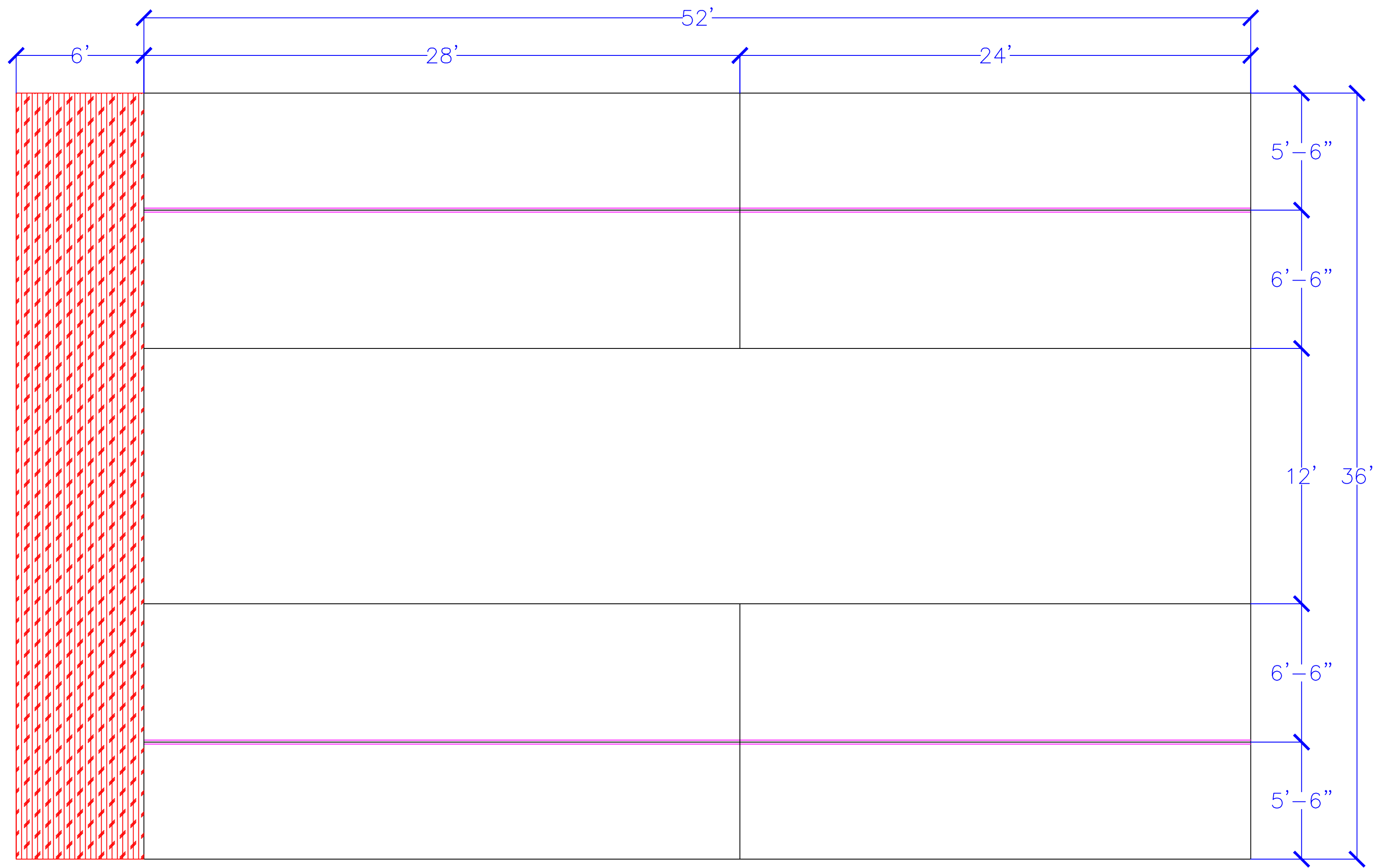
4x4 PT DF TYP

DETAIL 1



SCALE: 3"=1'

HUMBOLDT SKATEPARK COLLECTIVE	
FORTUNA HALFPIPE	SCALE: 1/4"=1'
SIDE VIEW	DATE: 5/1/23
DRAWN BY: ZC	REV: 1
PROJECT NUMBER	PAGE: 4



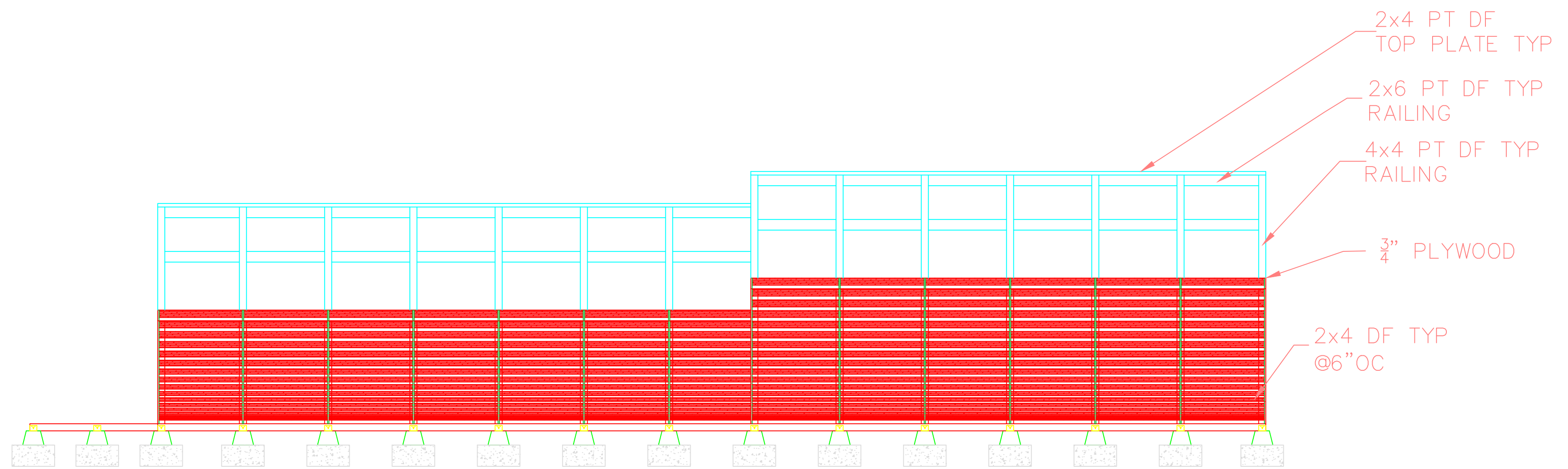
HUMBOLDT SKATEPARK COLLECTIVE

FORTUNA HALFPIPE SCALE: 1/4"=1'

TOP VIEW DATE: 5/1/23

DRAWN BY: ZC REV: 1

PROJECT NUMBER PAGE: 3



HUMBOLDT SKATEPARK COLLECTIVE

FORTUNA HALFPIPE

SCALE: 1/4"=1'

REAR VIEW

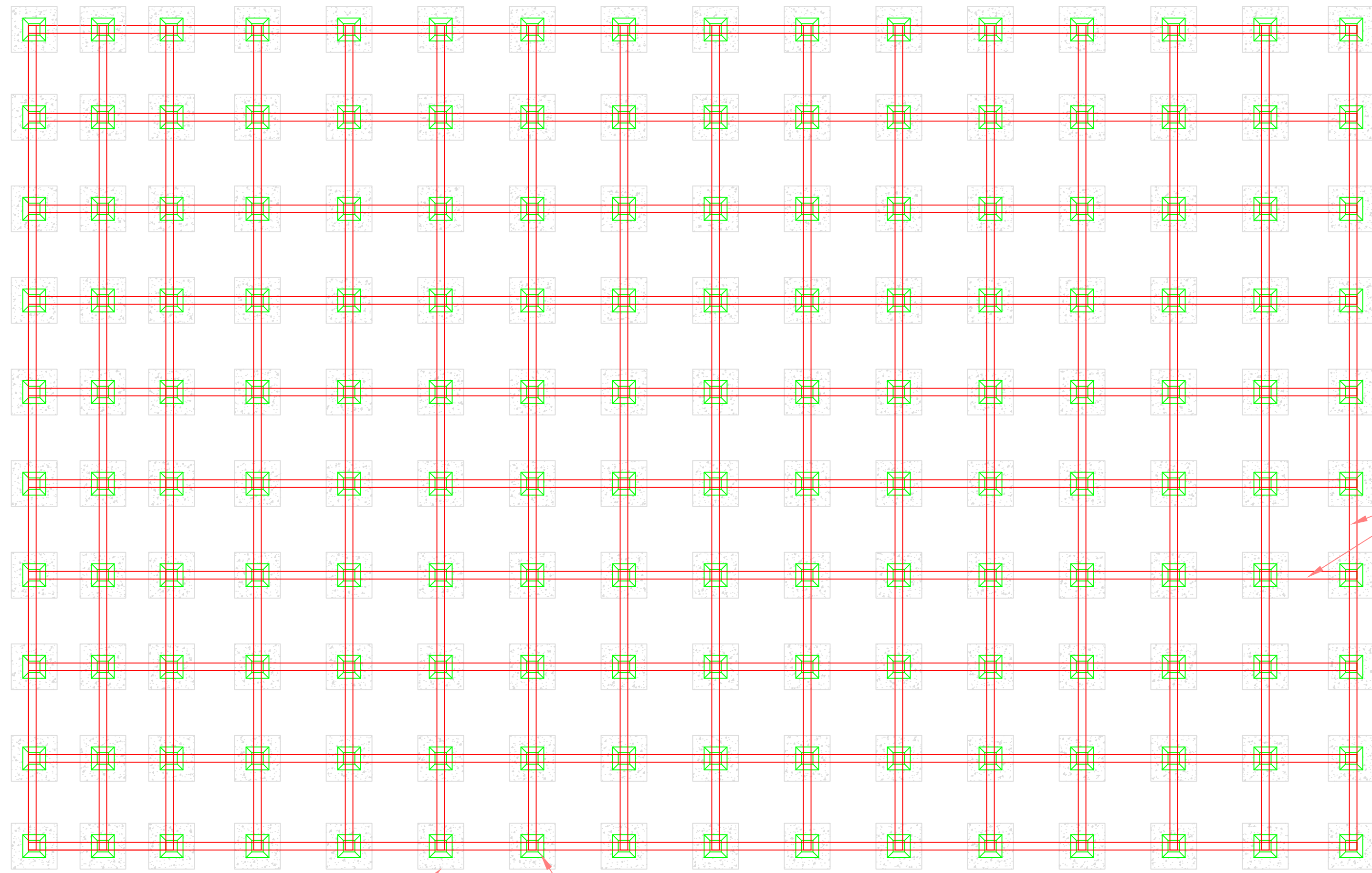
DATE: 5/1/23

DRAWN BY: ZC

REV: 1

PROJECT NUMBER

PAGE: 5

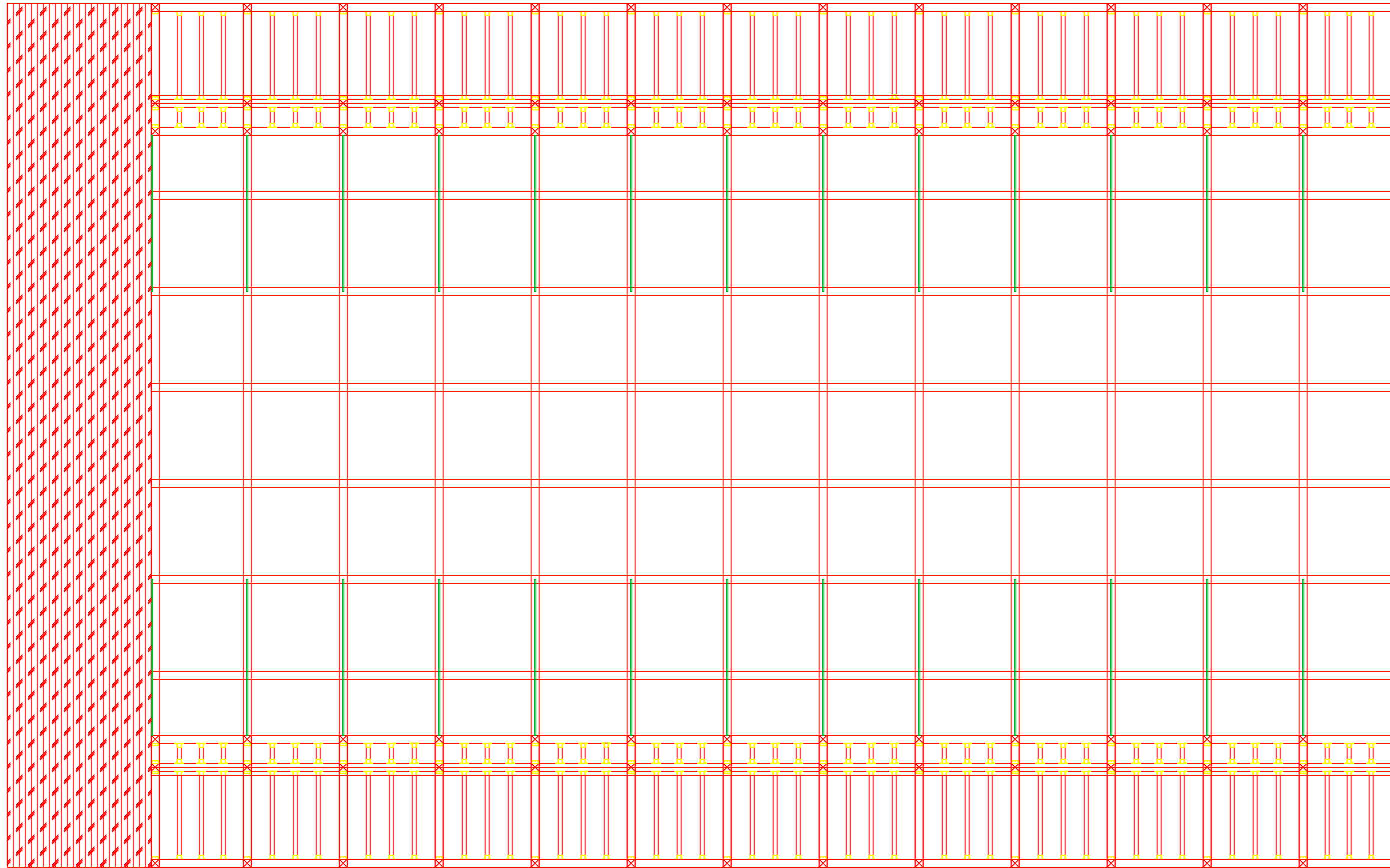


4x4 PT
DF TYP.

2'x2'x12"
CONCRETE
FOOTING

12" PIER BLOCKS

HUMBOLDT SKATEPARK COLLECTIVE	
FORTUNA HALFPIPE	SCALE: 1/4"=1'
FOUNDATION PLAN	DATE: 5/1/23
DRAWN BY: ZC	REV: 1
PROJECT NUMBER	PAGE: 6



HUMBOLDT SKATEPARK COLLECTIVE

FORTUNA HALFPIPE

SCALE: 1/4"=1'

CROSSMEMBERS

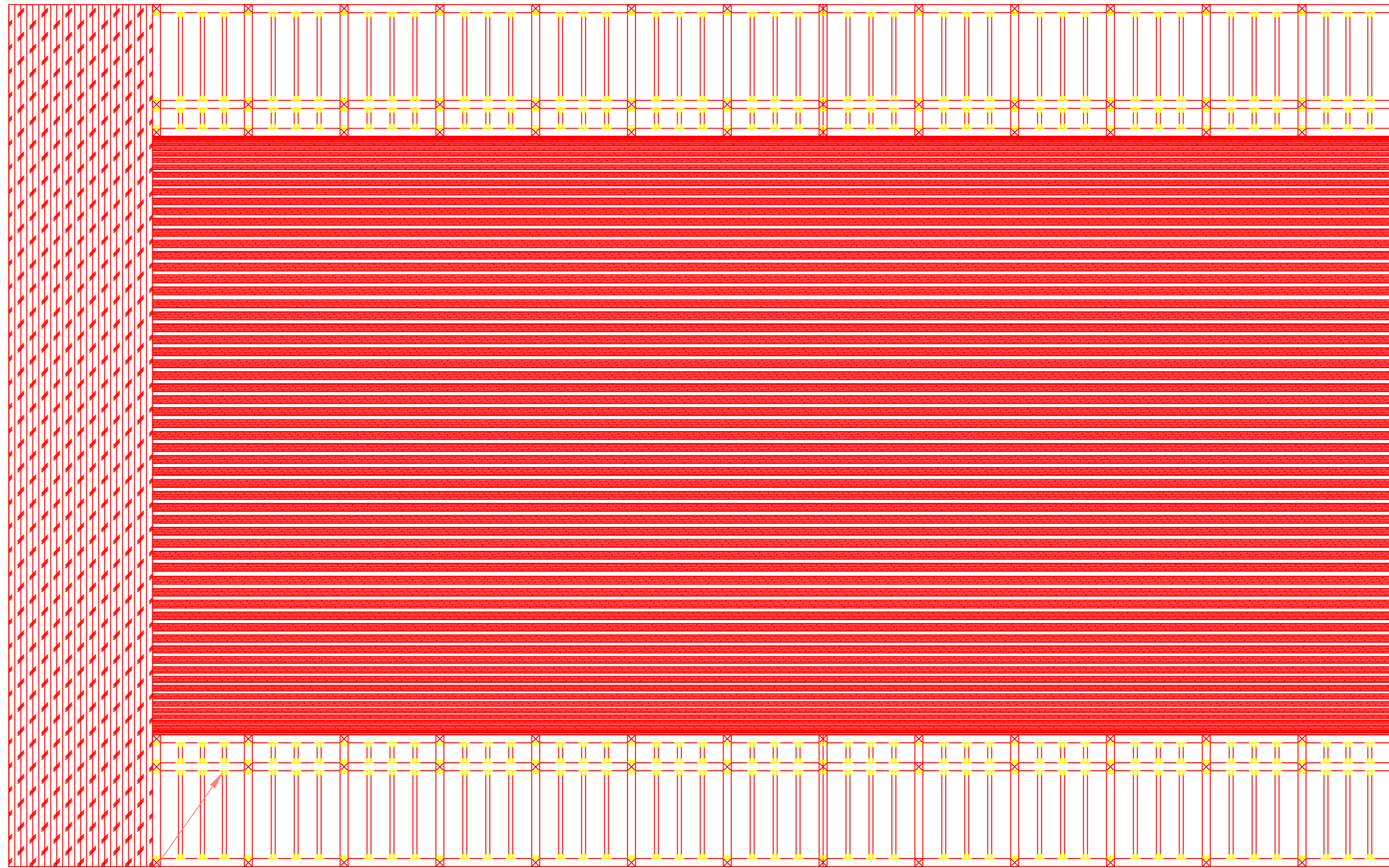
DATE: 5/1/23

DRAWN BY: ZC

REV: 1

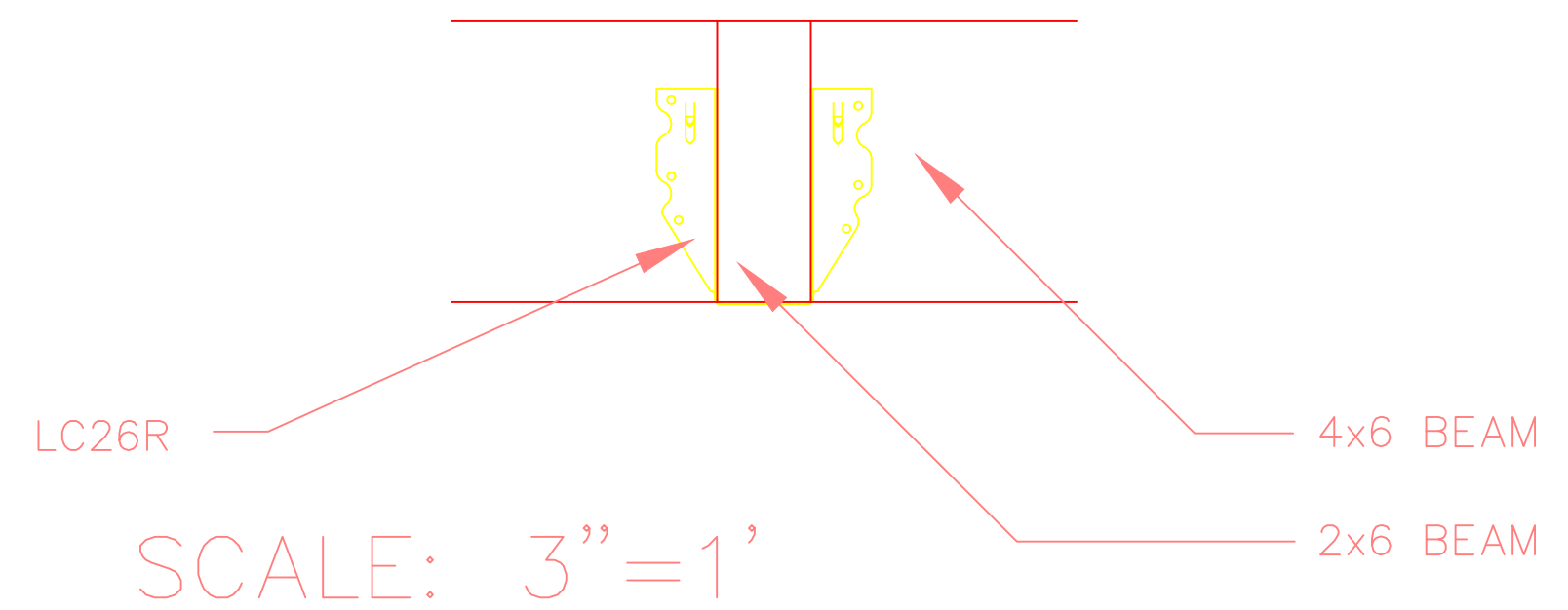
PROJECT NUMBER

PAGE: 7



DETAIL 1

DETAIL 1



SCALE: 3"=1'

HUMBOLDT SKATEPARK COLLECTIVE

FORTUNA HALFPIPE

SCALE: 1/4"=1'

FRAMING PLAN

DATE: 5/1/23

DRAWN BY: ZC

REV: 1

PROJECT NUMBER

PAGE: 8