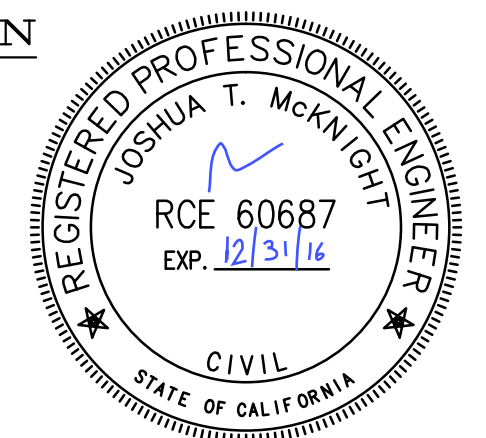


1" 1/2" 0" 1"



EXISTING SITE PLAN
1"=10'



DRAWN BY:	JTM
DESIGNED BY:	JTM
CHECKED BY:	J. McKnight
APPROVED BY:	JTM
DATE OF ISSUE:	June 2016
SCALE:	AS SHOWN
PROJECT NO.:	#986
DRAWING NO.:	C01

NEVA PETERSON POND
APN: 522-025-006

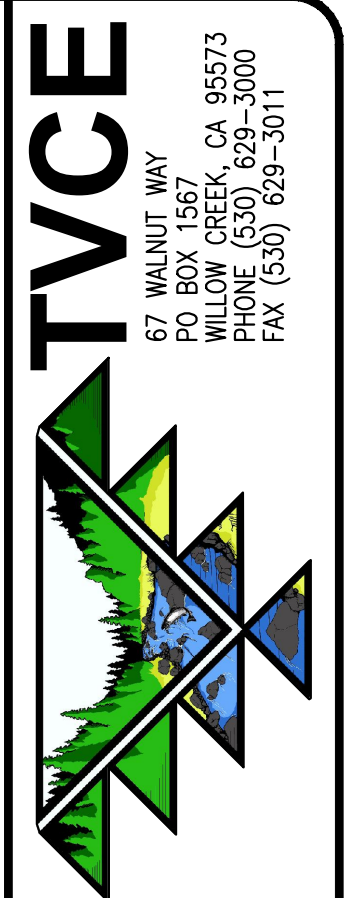
EXISTING SITE PLAN

3 CREEKS ROAD, HUMBOLDT COUNTY, CALIFORNIA

REV	DATE	DESCRIPTION	DWN BY	DES BY	CHK BY	APP BY
1						



TVCE
67 WANT WY
PO BOX 1687
WILLOW CREEK, CA 95573
PHONE (530) 629-3000
FAX (530) 629-3011



67 WILLOW WAY
 P.O. BOX 1687
 WILLOW CREEK, CA 95573
 PHONE (530) 629-3000
 FAX (530) 629-3011

DATE	DESCRIPTION	REV.	DATE	BY	CHK BY

NEVA PETERSON, POND
 APN: 522-025-006

EROSION CONTROL PLAN
 3 CREEK'S ROAD, HUMBOLDT COUNTY, CALIFORNIA

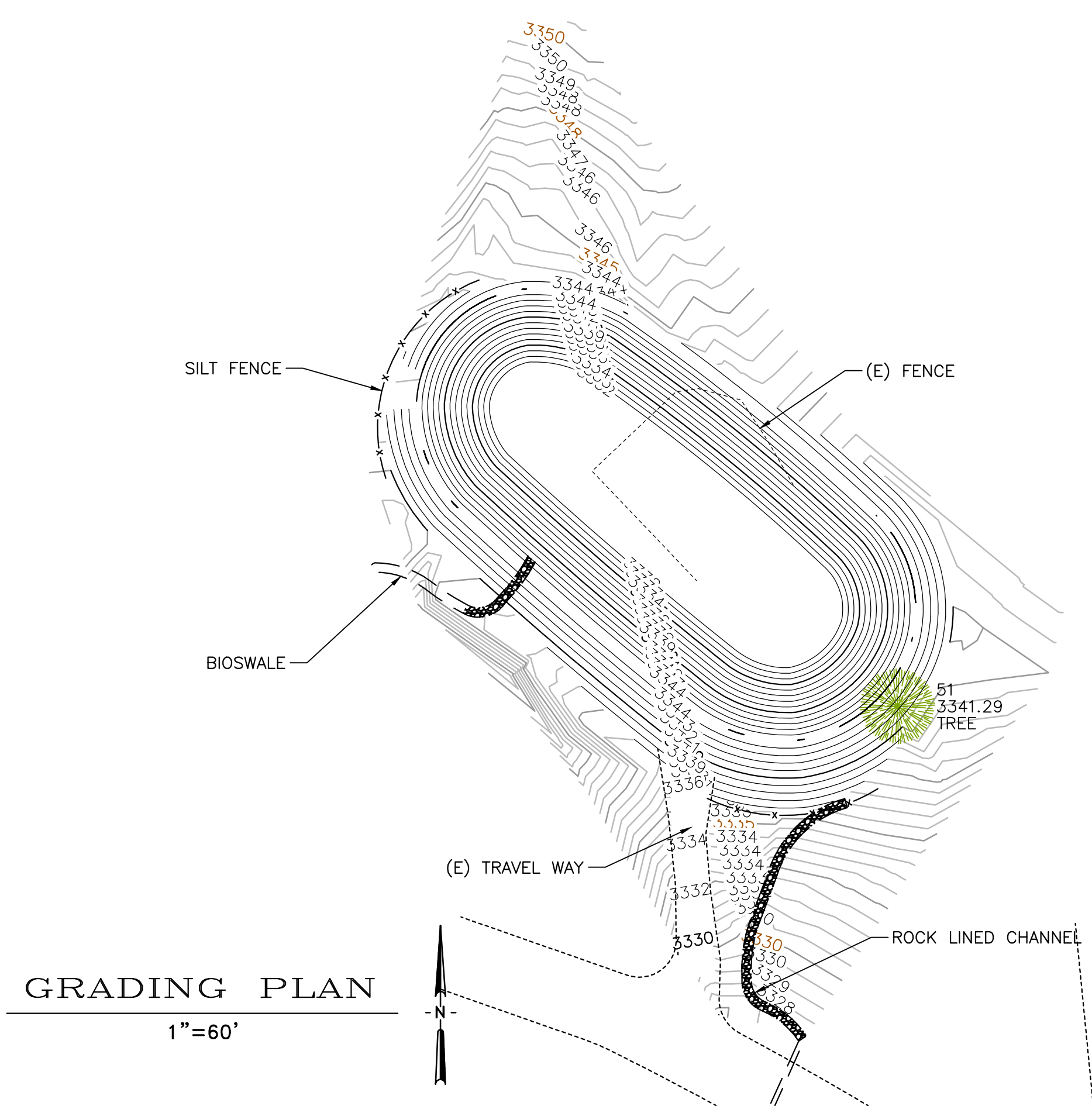
DRAWN BY:	DESIGNED BY:	CHECKED BY:	APPROVED BY:
JTM	JTM	J. McKNIGHT	JTM

DATE OF ISSUE:
 June 2016

SCALE:
 AS SHOWN

PROJECT NO:
 #986

DRAWING NO:
 C04

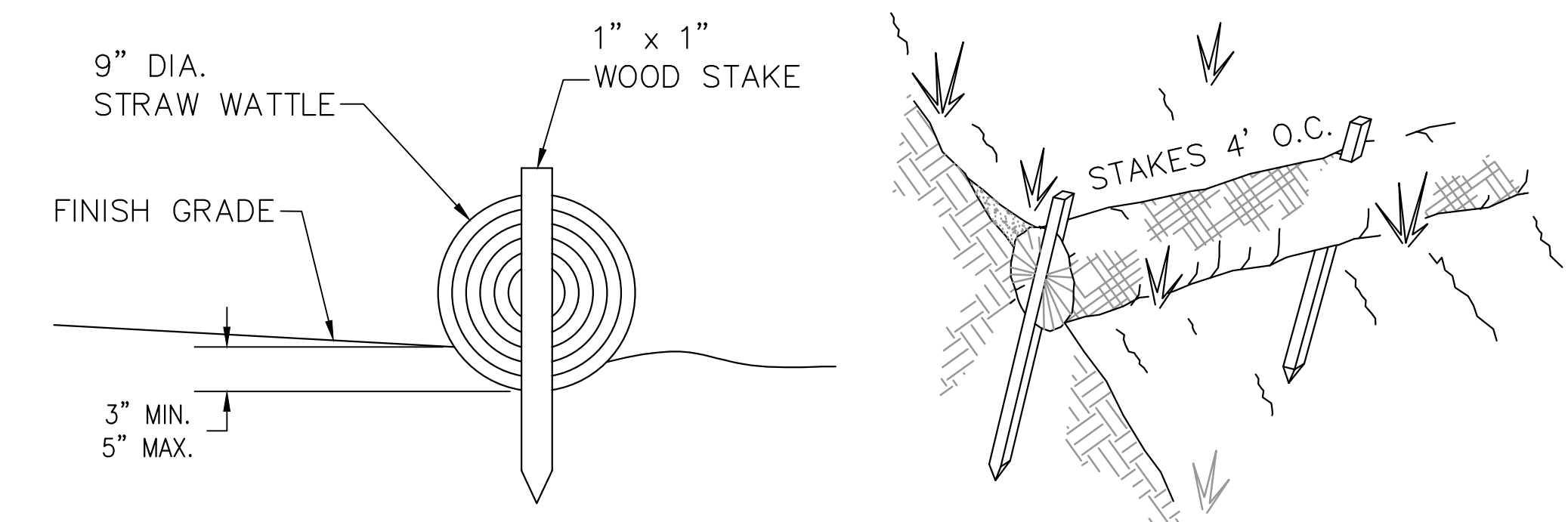


GRADING PLAN
 1"=60'

PHASE OF CONSTRUCTION	BMP INSTALLATION SCHEDULE										
	EROSION AND SEDIMENT CONTROL MEASURES										
	(WET SEASON)		(WET AND DRY SEASON)								
	HYDROSEEDING/MULCHING	PRESERVATION OF EXISTING VEGETATION	STRAW/FIBER ROLLS	STORM DRAIN INLET PROTECTION	TEMP. SEDIMENT TRAP	STABILIZED CONSTRUCTION ENTRANCE	CONTRACTOR EQUIPMENT CONTROLS	MATERIAL & WASTE DISPOSAL LOCATION	DUST CONTROL	DEWATERING OPERATIONS	CONCRETE WASHOUT
PRE-GRADING		●	●			●	●	●	●		
CUT AND FILL ACTIVITIES					●						
UNDERGROUND WORK											
STORM DRAIN IMPROVEMENTS											
OFFSITE IMPROVEMENTS											
COMPLETION OF PAVING											
POST-GRADING	●	●									

STRAW MULCH NOTES:

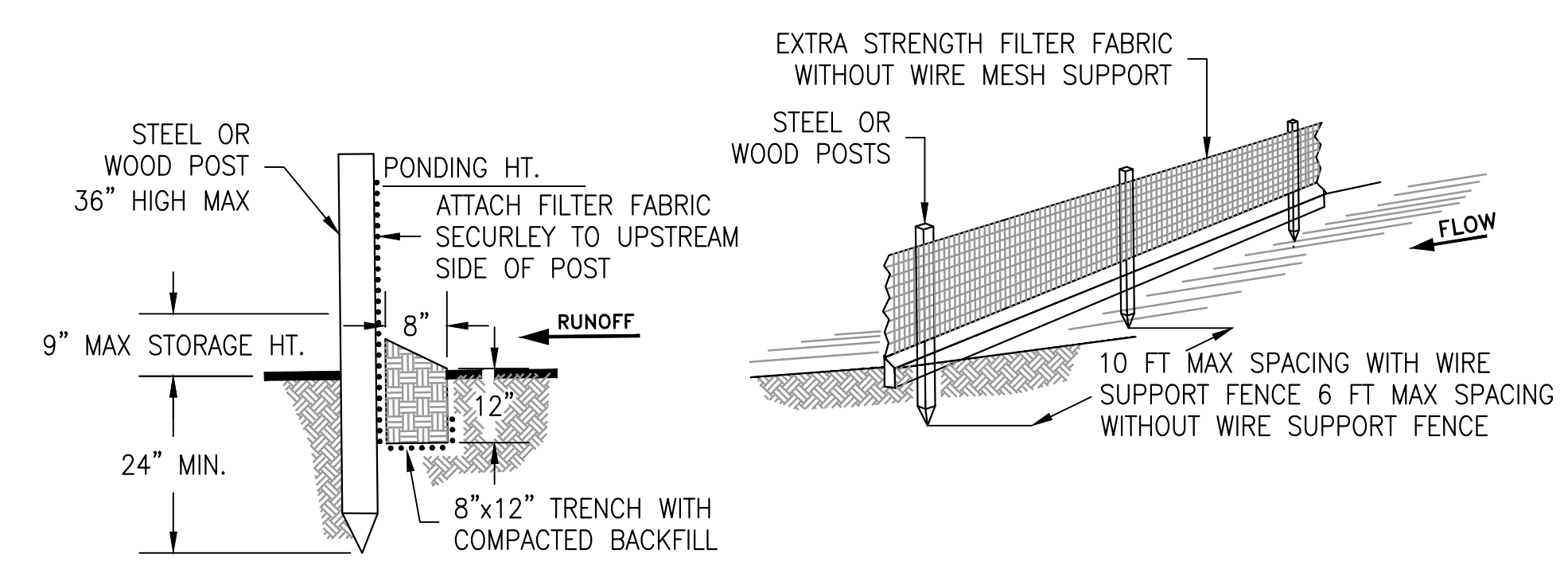
- STRAW SHALL BE DERIVED FROM WHEAT, RICE, OR BARLEY. WHERE REQUIRED BY THE PLANS, SPECIFICATIONS, PERMITS, OR ENVIRONMENTAL DOCUMENTS, NATIVE GRASS STRAW SHALL BE USED.
- A TACKIFIER IS THE PREFERRED METHOD FOR ANCHORING STRAW MULCH TO THE SOIL ON SLOPES.
- CRIMPING, PUNCH ROLLER-TYPE ROLLERS, OR TRACK WALKING MAY ALSO BE USED TO INCORPORATE STRAW MULCH INTO THE SOIL ON SLOPES. TRACK WALKING SHALL ONLY BE USED WHERE OTHER METHODS ARE IMPRACTICAL.
- AVOID PLACING STRAW ONTO ROADS, SIDEWALKS, DRAINAGE CHANNELS, SOUND WALLS, EXISTING VEGETATION, ETC.
- STRAW MULCH WITH TACKIFIER SHALL NOT BE APPLIED DURING OR IMMEDIATELY BEFORE RAINFALL.
- APPLY STRAW AT A MINIMUM RATE OF 4,000 LB/ACRE, EITHER BY MACHINE OR BY HAND DISTRIBUTION.
- ROUGHEN EMBANKMENTS AND FILL RILLS BEFORE PLACING THE STRAW MULCH BY ROLLING WITH A CRIMPING OR PUNCHING TYPE ROLLER OR BY TRACK WALKING.
- EVENLY DISTRIBUTE STRAW MULCH ON THE SOIL SURFACE.
- ON SMALL AREAS, A SPADE OR SHOVEL CAN BE USED TO PUNCH IN STRAW MULCH.
- ON SLOPES WITH SOILS THAT ARE STABLE ENOUGH AND OF SUFFICIENT GRADIENT TO SAFELY SUPPORT CONSTRUCTION EQUIPMENT WITHOUT CONTRIBUTING TO COMPACTION AND INSTABILITY PROBLEMS, STRAW CAN BE "PUNCHED" INTO THE GROUND USING A KNIFE BLADE ROLLER OR A STRAIGHT BLADED COULTER, KNOWN COMMERCIALY AS A "CRIMPER".
- ON SMALL AREAS AND/OR STEEP SLOPES, STRAW CAN ALSO BE HELD IN PLACE USING PLASTIC NETTING OR JUTE. THE NETTING SHALL BE HELD IN PLACE USING 11 GAUGE WIRE STAPLES, GEOTEXTILE PINS OR WOODEN STAKES AS DESCRIBED IN EC-7, GEOTEXTILES AND MATS.
- TACKIFIER ACTS TO GLUE THE STRAW FIBERS TOGETHER AND TO THE SOIL SURFACE. THE TACKIFIER SHALL BE SELECTED BASED ON LONGEVITY AND ABILITY TO HOLD THE FIBERS IN PLACE. A TACKIFIER IS TYPICALLY APPLIED AT A RATE OF 125 LB/ACRE. IN WINDY CONDITIONS, THE RATES ARE TYPICALLY 180LB/ACRE.
- ALL CUT AND FILL SLOPES SHALL BE TRACKWALKED AND COMPACTED IN PLACE.



STRAW WATTLE NOTES:

- STRAW WATTLES SHALL BE INSTALLED WITH 18 OR 24 INCH WOOD STAKES AT FOUR FEET ON CENTER. THE ENDS OF ADJACENT STRAW WATTLES SHALL BE ABUTTED TO EACH OTHER SNUGLY OR OVERLAPPED BY SIX INCHES.
- STRAW ROLL INSTALLTION REQUIRES THE PLACEMENT AND SECURE STAKING OF THE ROLL IN A TRENCH, 3"-5" DEEP. RUNOFF MUST NOT BE ALLOWED TO RUN UNDER OR AROUND THE ROLL.

STRAW WATTLE INSTALLATION DETAIL
 NTS



SILT FENCE NOTES:

- THE CONTRACTOR SHALL INSPECT AND REPAIR FENCE AFTER EACH STORM EVENT.
- CONTRACTOR SHALL REMOVE SEDIMENT AS NECESSARY. REMOVED SEDIMENT SHALL BE DEPOSITED TO AN AREA THAT WILL NOT CONTRIBUTE SEDIMENT OFF-SITE AND IN AN AREA THAT CAN BE PERMANENTLY STABILIZED.
- SILT FENCE SHALL BE PLACED ON SLOPE CONTOURS TO MAXIMIZE PONDING EFFICIENCY.

SILT FENCE DETAILS
 NTS

CONTRACTOR NOTE:

- CONTRACTOR MAY SUBSTITUTE TEMPORARY SILT FENCES FOR STRAW FIBER ROLLS AND VICE VERSA.

BMP MAINTENANCE NOTES:

- ALL OF THE IMPLEMENTED BMPS SHALL BE INSPECTED AND CORRECTED AS NEEDED PRIOR TO, DURING, AND DIRECTLY FOLLOWING ANY STORM EVENT, OR WHENEVER PRACTICAL.

EROSION AND SEDIMENT CONTROL NOTES:

- EROSION CONTROL BEST MANAGEMENT PRACTICES (BMP'S) SHALL BE INSTALLED AND MAINTAINED DURING THE WET SEASON (OCTOBER 1 THROUGH APRIL 30). SEDIMENT CONTROL BMP'S SHALL BE INSTALLED AND MAINTAINED ALL YEAR.
- ALL DRAINAGE INLETS IMMEDIATELY DOWNSTREAM OF THE WORK AREA AND WITHIN THE WORK AREA SHALL BE PROTECTED WITH SEDIMENT CONTROL AND INLET FILTER BAGS, YEAR ROUND.
- ALL STABILIZED CONSTRUCTION ACCESS LOCATIONS SHALL BE CONSTRUCTED PER STANDARD DRAWING TC-1 WHERE CONSTRUCTION TRAFFIC ENTERS OR LEAVES PAVED AREAS. THE STABILIZED ACCESS SHALL BE MAINTAINED ON A YEAR-ROUND BASIS UNTIL THE COMPLETION OF CONSTRUCTION.
- ALL AREAS DISTURBED DURING CONSTRUCTION, BY GRADING, TRENCHING, OR OTHER ACTIVITIES, SHALL BE PROTECTED FROM EROSION DURING THE WET SEASON (OCTOBER 1 THROUGH APRIL 30). HYDROSEED, IF UTILIZED, MUST BE PLACED BY SEPTEMBER 15. HYDROSEED PLACED DURING THE WET SEASON SHALL USE A SECONDARY EROSION PROTECTION METHOD.
- SENSITIVE AREAS AND AREAS WHERE EXISTING VEGETATION IS BEING PRESERVED SHALL BE PROTECTED WITH CONSTRUCTION FENCING. SEDIMENT CONTROL BMP'S SHALL BE INSTALLED WHERE ACTIVE CONSTRUCTION AREAS DRAIN INTO SENSITIVE OR PRESERVED VEGETATION AREAS.
- SEDIMENT CONTROL BMP'S SHALL BE PLACED ALONG THE PROJECT PERIMETER WHERE DRAINAGE LEAVES THE PROJECT. SEDIMENT CONTROL BMP'S SHALL BE MAINTAINED YEAR-ROUND UNTIL THE CONSTRUCTION IS COMPLETE OR THE DRAINAGE PATTERN HAS BEEN CHANGED AND NO LONGER LEAVES THE SITE.
- ALL SLOPES GREATER THAN 1:1 SHALL RECEIVE SEED AND STRAW OR OTHER EROSION CONTROL.
- ALL FENCING AND EROSION CONTROL METHODS SHALL BE MAINTAINED THROUGHOUT ALL ON-SITE CONSTRUCTION ACTIVITIES.
- ALL BMPS SHALL BE INSTALLED AND FUNCTIONING PRIOR TO ANY ANTICIPATED STORM EVENT.

