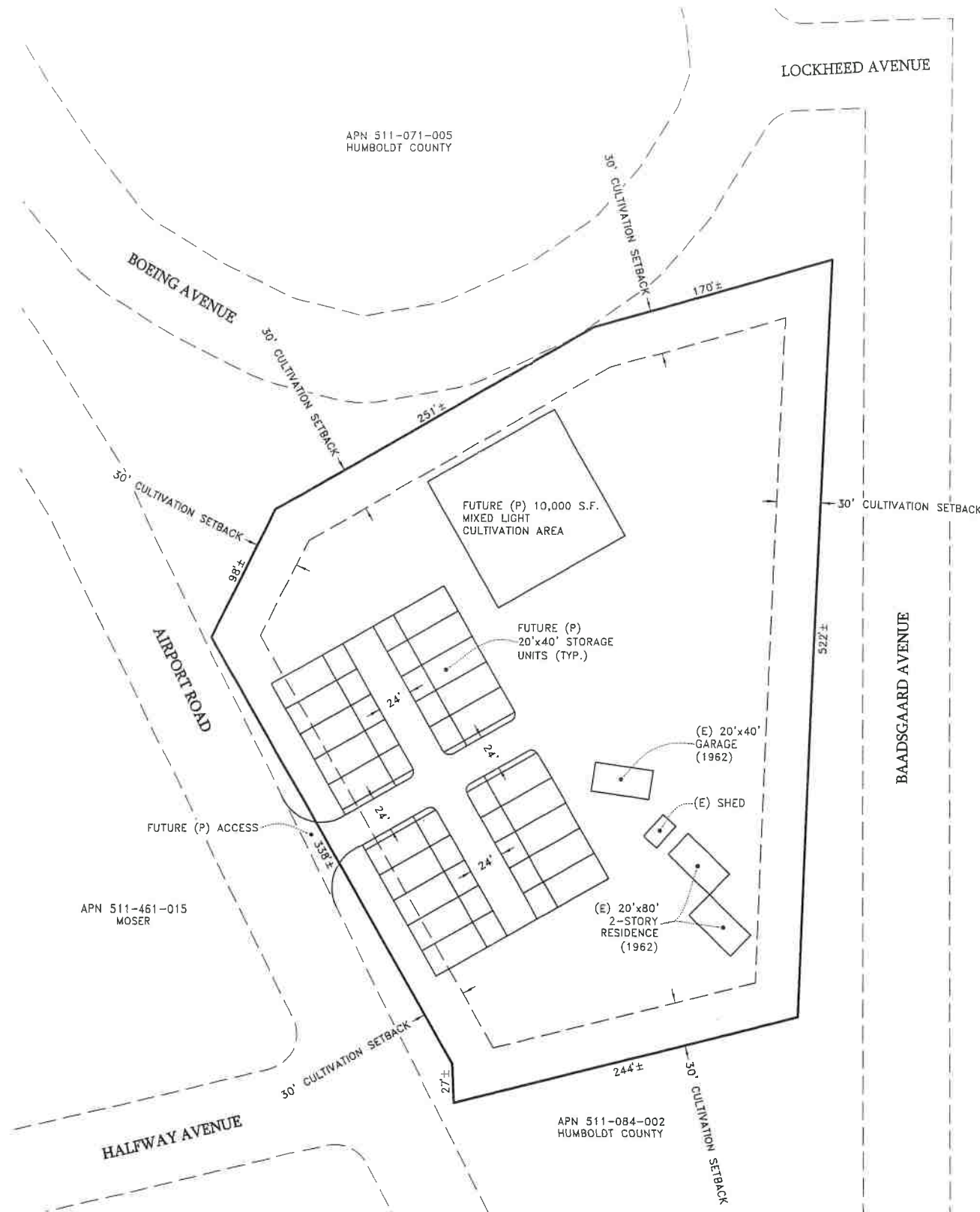


D:\Projects_Civil\16-1674-2_Med River Properties_Baadsgaard Rd\dwg\1674-2_PLOT01.dwg 9/13/2017 1:10 PM



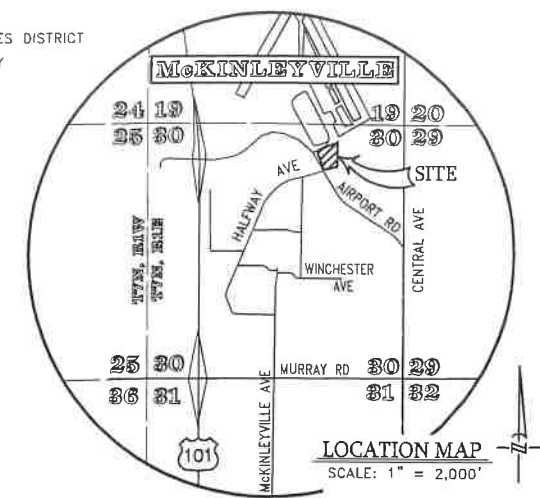
RECEIVED
SEP 14 2017
Humboldt County
Cannabis Svcs.
DJS

UTILITIES

WATER & SEWER	McKINLEYVILLE COMMUNITY SERVICES DISTRICT
ELECTRIC & GAS	PACIFIC GAS & ELECTRIC COMPANY
TELEPHONE	CELLULAR SERVICE

LEGEND

SYMBOL	INDICATES
◁	PARKING SPACE
(P)	PROPOSED
(E)	EXISTING
TYP.	TYPICAL
S.F.	SQUARE FEET
(YEAR)	YEAR CONSTRUCTED/INSTALLED
H.C.R.	HUMBOLDT COUNTY RECORDS

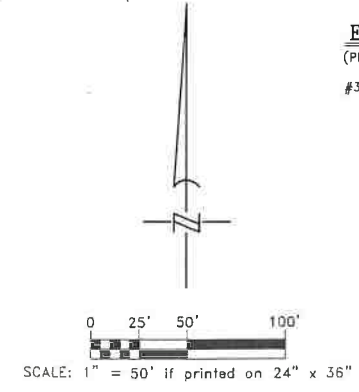


- NOTES**
- THIS PLOT PLAN, FOR APN 511-071-003, HAS BEEN PREPARED IN ACCORDANCE WITH HUMBOLDT COUNTY'S COMMERCIAL MEDICAL MARIJUANA LAND USE ORDINANCE (CMMLUO) NO. 2559, AND FOR THE PURPOSE OF ENROLLING AND/OR CERTIFYING THE SITE'S AGRICULTURAL OPERATIONS UNDER THE NORTH COAST REGIONAL WATER QUALITY CONTROL BOARD ORDER NO. R1-2015-0023.
 - APN 511-071-003 HAS A GENERAL PLAN DESIGNATION OF COMMERCIAL SERVICES (CS) PER THE MCKINLEYVILLE COMMUNITY PLAN, AND IS ZONED AIRPORT (AV). PERMITTED LAND USES WITH A USE PERMIT ON AV ZONED LAND INCLUDE ANY OTHER RESIDENTIAL, AGRICULTURAL, RECREATIONAL, COMMERCIAL, OR INDUSTRIAL USE, PER SECTION 314-4.1 OF THE HUMBOLDT COUNTY ZONING REGULATIONS.
 - THE PROPERTY IS CURRENTLY DEVELOPED WITH ONE (1) RESIDENCE, ONE (1) SHED, AND ONE (1) GARAGE.
 - THE PROJECT IS NOT LOCATED WITHIN AN AREA WHERE KNOWN CULTURAL RESOURCES HAVE BEEN LOCATED. HOWEVER, AS THERE EXISTS THE POSSIBILITY THAT UNDISCOVERED CULTURAL RESOURCES MAY BE ENCOUNTERED, MITIGATION MEASURES MAY BE REQUIRED UNDER FEDERAL AND STATE LAW.
 - ACCESS TO THE SITE IS VIA STATE HIGHWAY 101 TO ARCATA AIRPORT EXIT.
 - NO CULTIVATION OR PROCESSING CURRENTLY EXISTS ON THE PARCEL.
 - NO SCHOOLS, SCHOOL BUS STOPS, PLACES OF WORSHIP OR PUBLIC PARKS ARE LOCATED WITHIN SIX HUNDRED FEET (600') OF THE FUTURE CULTIVATION SITE.
 - THE PARCEL IS FULLY ENCOMPASSED WITHIN AN AREA OF PRIME AGRICULTURAL SOIL.
 - BOUNDARIES ARE APPROXIMATE AND ARE BASED ON HUMBOLDT COUNTY WEB GIS MAPPING, AND ARE NOT BASED ON A FIELD SURVEY. IF REQUIRED FOR COMPLIANCE WITH STATE LAW, A FIELD SURVEY WILL BE PERFORMED AT A LATER DATE, FOLLOWING APPROVAL OF THE PROJECT.
 - THIS PROJECT IS IN THE LOCAL RESPONSIBILITY AREA (LRA), AND CURRENT ARCATA FIRE DISTRICT (AFD) FIRE SAFE STANDARDS FOR ROADWAYS, DRIVEWAYS, TURNOUTS, TURNAROUNDS, ETC. SHALL BE ADHERED TO.
 - THERE ARE NO NATURAL WATERWAYS, WATER DIVERSION, OR WATER STORAGE STRUCTURES ON-SITE.
 - ALL FUTURE BUILDINGS AND IMPROVEMENTS TO BE DESIGNED AND PERMITTED PER THE COUNTY OF HUMBOLDT REQUIREMENTS PRIOR TO CONSTRUCTION.
 - SOLID WASTE AND RECYCLING STORAGE LOCATION TO BE DETERMINED AT THE TIME OF DEVELOPMENT.
 - AVERAGE AND MAXIMUM NUMBER OF EMPLOYEES ON-SITE TO BE DETERMINED AT THE TIME OF DEVELOPMENT.
 - THIS PLAN IS NOT INTENDED TO BE USED FOR CONSTRUCTION PURPOSE.



Kimberly D. Preston 9-13-17
KIMBERLY D. PRESTON DATE
P.L.S. 9153

EASEMENTS AND ENCUMBRANCES NOT SHOWN HEREON
(PER PRELIMINARY REPORT BY HUMBOLDT TITLE INSURANCE COMPANY, DATED DECEMBER 30, 2016)
#3. AN EASEMENT FOR THE PURPOSE FOR A STATE HIGHWAY PER BOOK 154 OF DEEDS, PAGE 311, H.C.R.



OWNER DOUGLAS SHAW, MICHAEL J. YOUNG & PATRICIA A. YOUNG AS TRUSTEES OF THE YOUNG FAMILY TRUST	APPLICANT AMERICAN HOSPITAL MANAGEMENT CORPORATION c/o VICKY SLEIGHT P. O. BOX 116 ARCATA, CA 95518 (707) 826-8200 APPS #13215 APN 511-071-003
--	---

OSBERG & RESTON 434 7th Street Eureka, California 95501 Telephone (707) 443-8851 Fax: 443-0422 SURVEYORS PLANNERS ENGINEERS	DESIGNED BY: K.D.P.	DATE: 12/29/16	PLOT PLAN for DOUGLAS SHAW In the unincorporated area of Humboldt County NE/4 Section 30, T.7N., R.1E. H.B.&M.	SCALE AS SHOWN JOB NO. 16-1674-2 SHEET OF 1 1
	CHECKED BY: KIMBERLY D. PRESTON	DATE: 09/01/17		