

**FUNDING SOURCE**

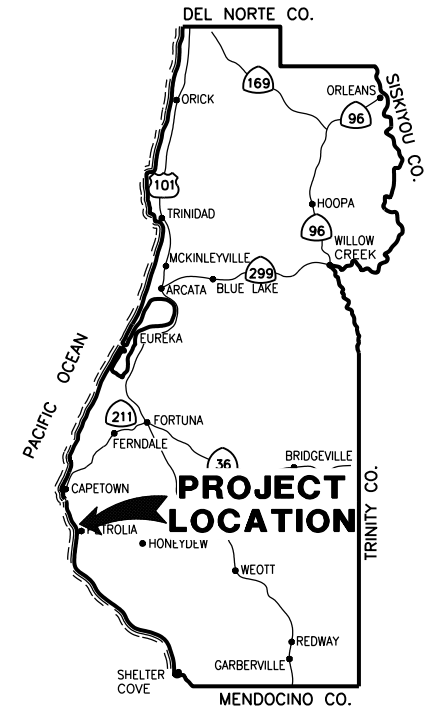
THIS PROJECT IS FUNDED BY THE US DEPARTMENT OF TRANSPORTATION, FEDERAL HIGHWAY ADMINISTRATION EMERGENCY RELIEF PROGRAM



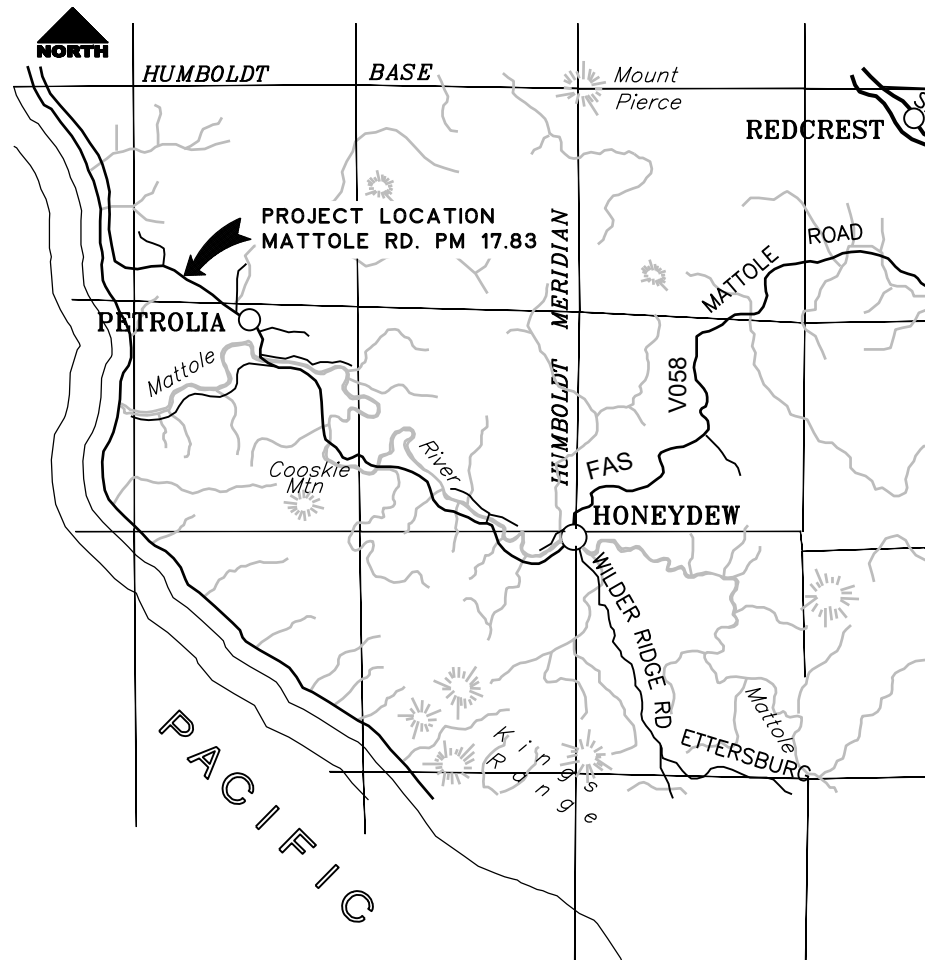
BAR IS ONE INCH ON ORIGINAL DRAWING  IF NOT ONE INCH ON THIS SHEET, ADJUST SCALES ACCORDINGLY	ROAD NAME: MATTOLE ROAD	DESIGN SECTION: ENGINEERING	COUNTY OF HUMBOLDT DEPARTMENT OF PUBLIC WORKS STORM DAMAGE REPAIR MATTOLE RD. PM 17.83 COVER SHEET, SHEET INDEX AND MAPS	SHEET <b>1</b> OF <b>7</b>
	ROAD NO: F3C010 MILE POST: 17.83	DESIGNED BY: RMD		
	PROJECT NO.: ER-32L(321)PR	DRAWN BY: RMD		
	CONTRACT NO.: 217401	REVIEWED BY: JAB		
	DRAWING FILE NAME: 217401_MAT17.83_TITLE PAGE	APPROVED BY: TRS		
	PLOT DATE: 07/26/2023 REVISION DATE:			

COUNTY OF HUMBOLDT  
DEPARTMENT OF PUBLIC WORKS

**PROJECT PLANS FOR CONSTRUCTION OF  
STORM DAMAGE REPAIR TO  
MATTOLE RD. (F3C010) PM 17.83  
PROJECT NO. ER-32L(321)  
CONTRACT NO. 217401**



**LOCATION MAP**  
SCALE: 1"=10± MILE



**VICINITY MAP**  
NTS

**INDEX OF SHEETS**

- COVER SHEET, SHEET INDEX AND MAPS
- CONSTRUCTION AREA SIGNS, QUANTITIES, SURVEY CONTROL AND DETAILS
- PLAN AND PROFILE
- TYPICAL SECTIONS
- EROSION CONTROL
- SECTION VIEWS
- SECTION VIEWS

**NOTES**

THE CONTRACTOR SHALL HAVE A CLASS "A" LICENSE FOR THIS PROJECT.

PROJECT PLANS AND SPECIAL PROVISIONS TO BE SUPPLEMENT BY STATE OF CALIFORNIA DEPARTMENT OF TRANSPORTATION 2022 STANDARD PLANS AND 2022 STANDARD SPECIFICATIONS

(SEE APPLICABLE STANDARD PLAN LIST IN SPECIAL PROVISIONS)

**DESIGN DESIGNATION**

ADT (MARCH'09)=500  
V=35MPH

**RECOMMENDED**

*Jeffrey A. Ball* 7/26/2023  
JEFFREY A. BALL DATE  
RCE 70631, EXP. 6/30/2025



**APPROVED**

*Tony R. Seghetti* 07-26-2023  
TONY R. SEGHETTI DATE  
RCE 63714, EXP. 9/30/2024



ORIGINAL LOW BID PRICE	CONSTRUCTED BY	RESIDENT ENGINEER
	PROJECT COMPLETED	CONSTRUCTION COST \$

**SURVEY CONTROL & MONUMENT COORDINATES**

Pnt.#	Northing	Easting	Elev.	Description
1	65716.0500	32830.8200	322.66	FDCP180D
7	66138.7686	32361.1328	346.935	CP7CONCNAIL&SHINER
8	66453.2923	32032.5737	344.9567	60DSPIKE
10	65292.5070	33276.6592	351.7152	CP10SPIKE60D
11	65037.3273	33610.3823	361.8661	CP11NGSV1465
20	65571.8781	33033.5147	334.63	SET80DSPIKESHINER
100	66196.2900	32286.1800	348.89	CP100FDCONCNAIL+SHINER
101	65885.9400	32657.8800	327.93	CP101FDPKNAIL

VERTICAL DATUM: FOUND NGS V 1465, NAVD 88 DATUM, ALSO CP11

HORIZONTAL DATUM: PER CONTROL POINT TIE TO PREVIOUS JOB IN 2002, 'SHANAHAN GULCH REPLACEMENT', FROM CP11 TO CP7. TIE IS N48°35'53"W

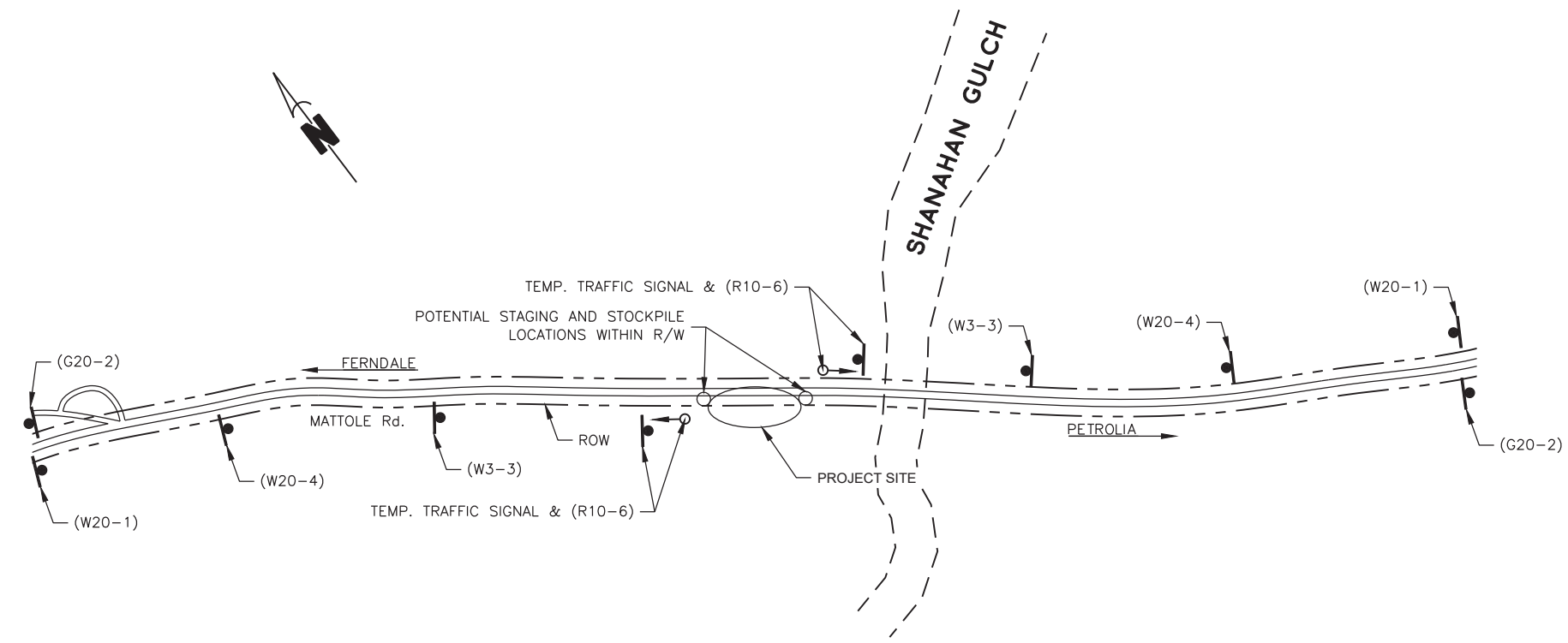
RIGHT OF WAY: 33' EITHER SIDE OF TRAVERSED CENTERLINE PER ROAD REGISTER #1, PG 65-67



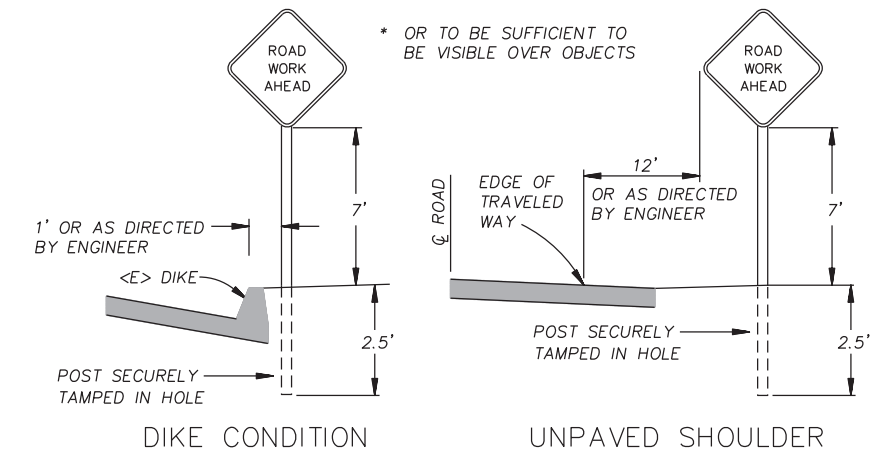
ROAD NAME: MATTOLE ROAD		DESIGN SECTION: ENGINEERING	COUNTY OF HUMBOLDT DEPARTMENT OF PUBLIC WORKS	SHEET <b>2</b> OF <b>7</b>
ROAD NO: F3C010	MILE POST: 17.83	DESIGNED BY: RMD		
PROJECT NO.: ER-32L(321)PR		DRAWN BY: RMD	STORM DAMAGE REPAIR MATTOLE RD. PM 17.83	
CONTRACT NO.: 217401		REVIEWED BY: JAB	CONSTRUCTION AREA SIGNS, QUANTITIES, SURVEY CONTROL AND DETAILS	
DRAWING FILE NAME: 217401_MAT17.83_SHT 2		APPROVED BY: TRS		
PLOT DATE: 07/26/2023		REVISION DATE:		

**QUANTITIES**

ITEM NO.	ITEM CODE	ITEM DESCRIPTION	UNIT	QUANTITY
1	120090	Construction Area Signs	EA	10
2	120100	Traffic Control System	LS	1
3	120206	Portable Signal System (EA)	EA	1
4	129000	Temporary Railing (Type K)	LF	200
5	129110	Temporary Crash Cushion (Absorb-M, TL-2)	EA	2
6	130100	Job Site Management	LS	1
7	130200	Prepare Water Pollution Control Program	LS	1
8	170103	Clearing and Grubbing (LS)	LS	1
9	190101	Roadway Excavation	CY	200
10	192001	F Structure Excavation	CY	1,525
11	198050	Embankment	CY	1,020
12	198250A	Geosynthetic Reinforcement (Uniaxial Geogrid)	SY	1,190
13	198250B	Geosynthetic Reinforcement (Biaxial Geogrid)	SY	400
14	210212	Dry Seed (SQFT)	SQFT	4,875
15	210280	Rolled Erosion Control Product (Blanket)	SQFT	4,875
16	210350	Fiber Rolls	LF	335
17	260203	Class 2 Aggregate Base (CY)	CY	200
18	390132	Hot Mix Asphalt (Type A)	TON	110
19	394073	Place Hot Mix Asphalt Dike (Type A)	LF	470
20	680902	6" Perforated Plastic Pipe Underdrain	LF	65
21	680903	6" Non-Perforated Plastic Pipe Underdrain	LF	35
22	681990	Filter Fabric (Class C)	SY	450
23	682008	F Permeable Material (Blanket) (Type B, Class 1)	CY	140
24	690111	12" Corrugated Steel Pipe Downdrain (.064 Thick)	LF	60
25	692005	12" Entrance Taper	EA	2
26	692205	12" Downdrain Slip Joint	EA	2
27	692305	12" Anchor Assembly	EA	4
28	723020	Rock Slope Protection (1 T, Class VIII, Method A)	CY	170
29	723050	Rock Slope Protection (1/4 T, Class V, Method B) (CY)	CY	65
30	723095	Rock Slope Protection (20 lb, Class I Method B) (CY)	CY	65
31	729011	Rock Slope Protection Fabric (Class 8)	SQYD	315
32	999990	Mobilization	LS	1



**CONSTRUCTION AREA SIGNS**  
1"=200'±



**RURAL CONSTRUCTION AREA SIGN**  
- NOT TO SCALE -

**CONSTRUCTION AREA SIGN SUMMARY**

SIGN CODE	QTY	SIGN MESSAGE	PANEL SIZE	POST SIZE & QTY
W20-1	2	ROAD WORK AHEAD	36" x 36"	4" x 4" (1)
W20-4	2	ONE LANE ROAD AHEAD	36" x 36"	4" x 4" (1)
W3-3	2	SIGNAL WARNING	30" x 30"	4" x 4" (1)
R10-6	2	STOP HERE ON RED	24" x 36"	4" x 4" (1)
G20-2	2	END ROAD WORK	36" x 18"	4" x 4" (1)

**NOTES**

- SIGNS SHALL BE PLACED AS SHOWN ON PLAN OR AS DIRECTED BY THE ENGINEER.
- FINAL PLACEMENT OF SIGNS SHALL BE APPROVED BY RESIDENT ENGINEER.
- ADDITIONAL PORTABLE SIGNS SHALL BE USED AS REQUIRED FOR OTHER ROADSIDE WORK.
- SEE STANDARD PLAN T13 FOR TRAFFIC CONTROL SYSTEM.
- IN ADDITION TO CONSTRUCTION AREA SIGNS AND WHEN DIRECTED BY THE RESIDENT ENGINEER, THE CONTRACTOR SHALL UTILIZE FLAGMEN AS NECESSARY TO DIRECT TRAFFIC.
- PLACE SIGNS APPROXIMATELY 500 FEET APART
- DISTANCE TO W20-1 AND G20-2 MAY BE EXTENDED TO ENCOMPASS SITES WITHIN ONE MILE OF EACH OTHER.
- WHEN THROUGH TRAFFIC IS ALLOWED, KEEP A MINIMUM OF 1 TRAFFIC LANE AT LEAST 10 FEET WIDE OPEN FOR TRAFFIC, EXCEPT THE FULL WIDTH OF THE TRAVELED WAY (18' MINIMUM) MUST BE OPEN WHEN CONSTRUCTION OPERATIONS ARE NOT ACTIVE OR AN APPROVED TRAFFIC CONTROL PLAN IS IN PLACE.
- CONTRACTOR MUST PROVIDE A MINIMUM OF 14 DAYS NOTICE OF COMPLETE ROAD CLOSURE TO ENGINEER.

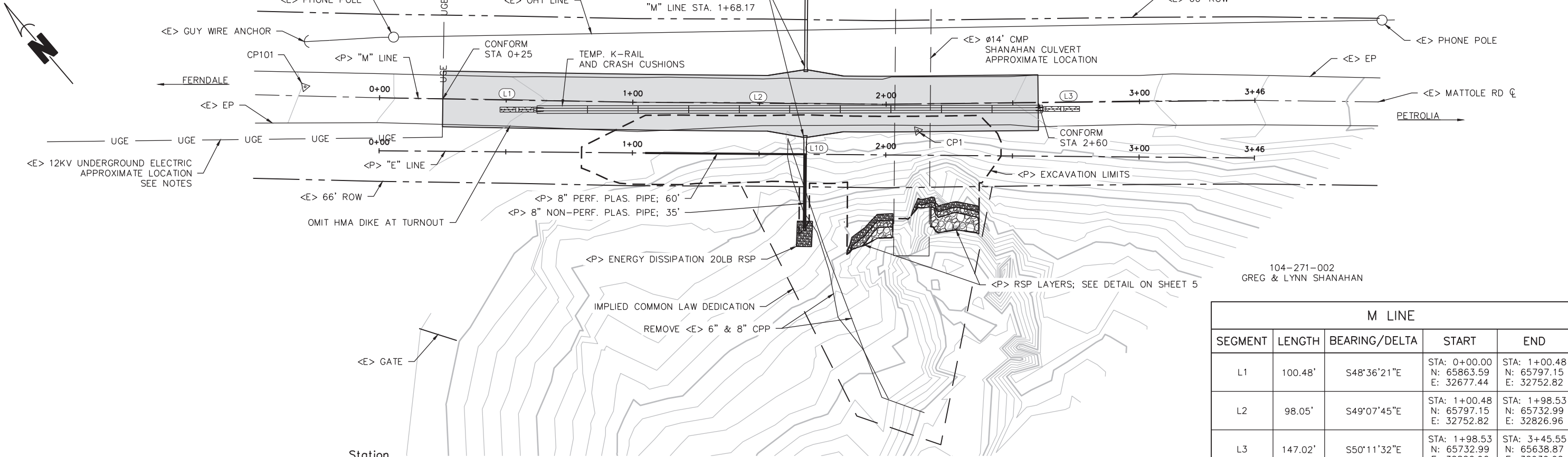
NOTES: 66' RIGHT OF WAY PER ROAD REGISTRY.  
 PG&E INDICATES UNDERGROUND 12KV  
 ELECTRIC LINE IN PROJECT VICINITY.  
 FRONTIER COMMUNICATIONS INDICATES  
 UNDERGROUND COPPER WIRE IN PROJECT  
 VICINITY.  
 CONTRACTOR TO CONTACT U.S.A. PRIOR  
 TO ANY AND ALL EXCAVATION.



ROAD NAME: MATTOLE ROAD	DESIGN SECTION: ENGINEERING DIVISION
ROAD NO: F3C010	MILE POST: 17.83
PROJECT NO: ER-32LO(321)PR	DESIGNED BY: RMD
CONTRACT NO: 217401	DRAWN BY: RMD
DRAWING FILE NAME: 217401 MATTOLE 17.83_DESIGN	REVIEWED BY: JAB
PLOT DATE: 06/21/2023	APPROVED BY: TRS

COUNTY OF HUMBOLDT DEPARTMENT OF PUBLIC WORKS
STORM DAMAGE REPAIR TO MATTOLE ROAD PM 17.83
PLAN AND PROFILE

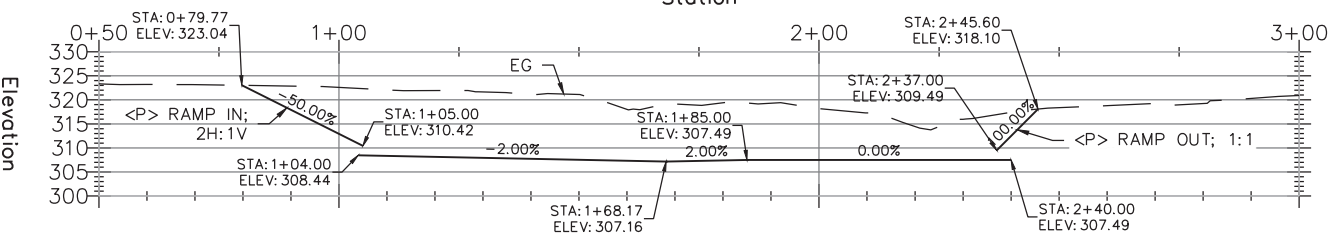
SHEET  
**3**  
 OF  
**7**



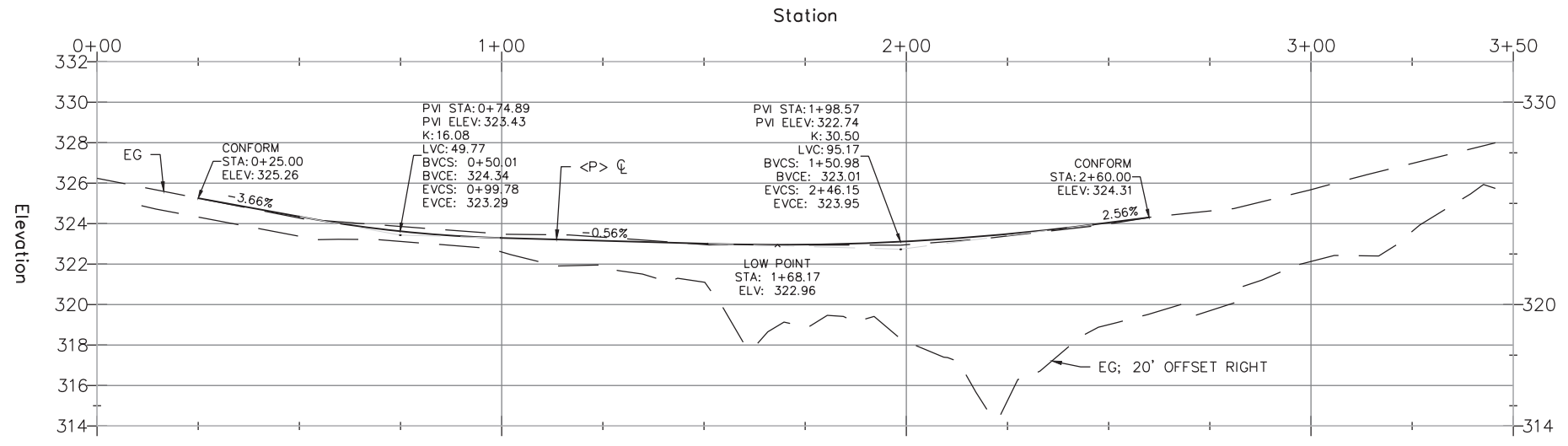
**PLAN VIEW**  
 SCALE: 1"=20'

M LINE				
SEGMENT	LENGTH	BEARING/Delta	START	END
L1	100.48'	S48°36'21"E	STA: 0+00.00 N: 65863.59 E: 32677.44	STA: 1+00.48 N: 65797.15 E: 32752.82
L2	98.05'	S49°07'45"E	STA: 1+00.48 N: 65797.15 E: 32752.82	STA: 1+98.53 N: 65732.99 E: 32826.96
L3	147.02'	S50°11'32"E	STA: 1+98.53 N: 65732.99 E: 32826.96	STA: 3+45.55 N: 65638.87 E: 32939.90

E LINE				
SEGMENT	LENGTH	BEARING/Delta	START	END
L10	345.52'	S49°07'45"E	STA: 0+00.00 N: 65847.78 E: 32663.75	STA: 3+45.52 N: 65621.68 E: 32925.03



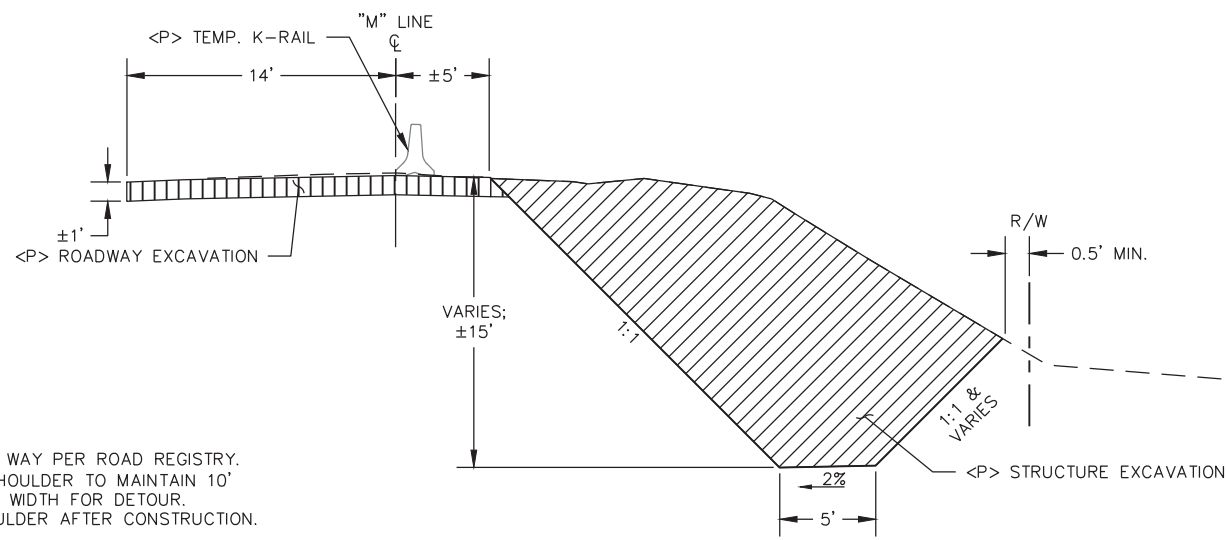
**'E' LINE PROFILE VIEW**  
 HORIZ: 1"=20'  
 VERT: 1"=20'



**'M' LINE PROFILE VIEW**  
 HORIZ: 1"=20'  
 VERT: 1"=4'



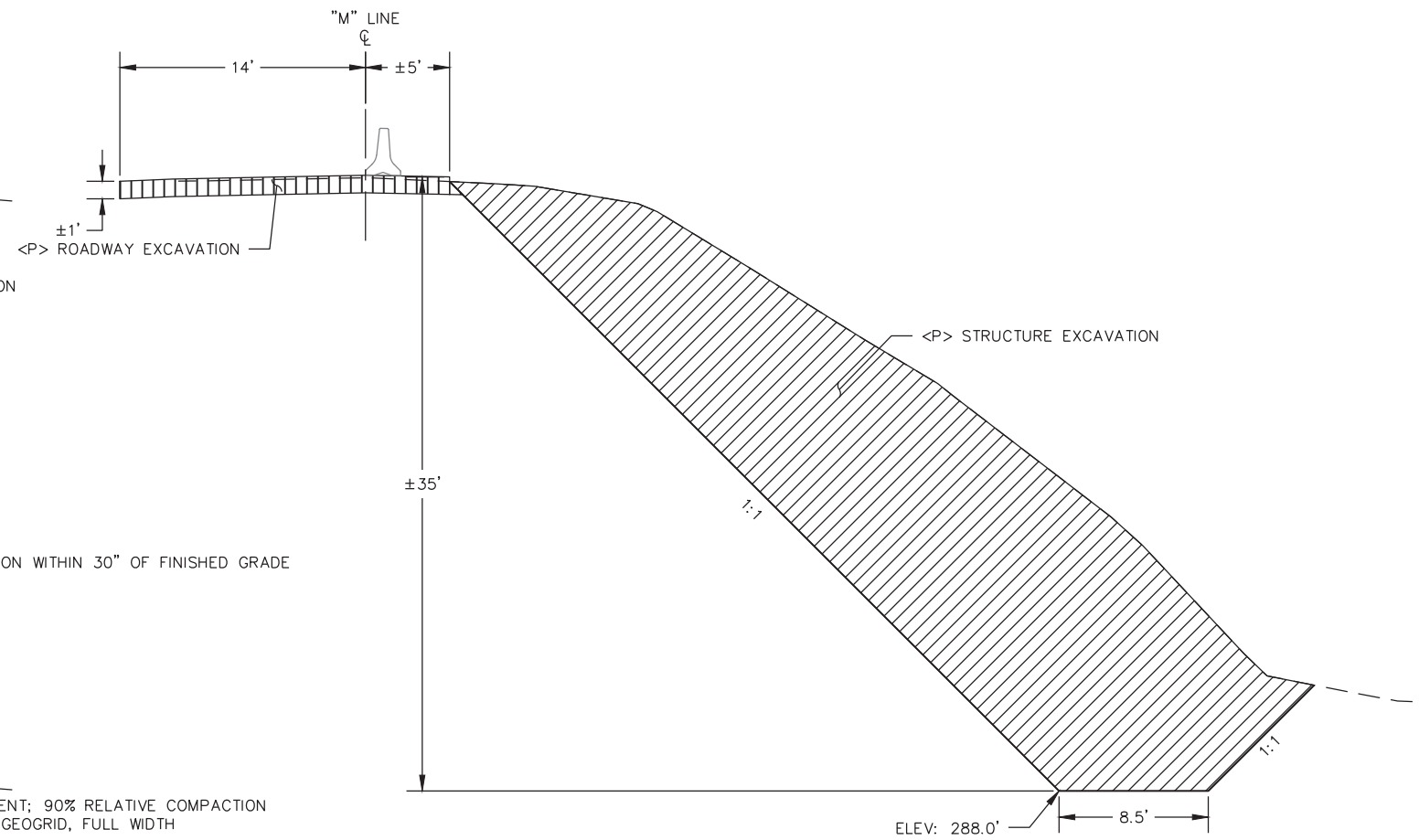
ROAD NAME: MATTOLE ROAD		DESIGN SECTION	<b>COUNTY OF HUMBOLDT</b> <b>DEPARTMENT OF PUBLIC WORKS</b> <b>STORM DAMAGE REPAIR TO MATTOLE ROAD PM 17.83</b> <b>TYPICAL SECTIONS</b>	SHEET <b>4</b> OF <b>7</b>
BAR IS ONE INCH ON ORIGINAL DRAWING	ROAD NO.: F3C010	ENGINEERING DIVISION		
IF NOT ONE INCH ON THIS SHEET, ADJUST SCALES ACCORDINGLY	MILE POST: 17.83	DESIGNED BY: RMD		
	PROJECT NO.: ER-32LO(321)PR	DRAWN BY: RMD		
	CONTRACT NO.: 217401	REVIEWED BY: JAB		
	DRAWING FILE NAME: MATTOLE 17.83	APPROVED BY: TRS		
	PLOT DATE: 06/21/2023			



**TYPICAL EXCAVATION SECTION**

Scale: 1"=5'

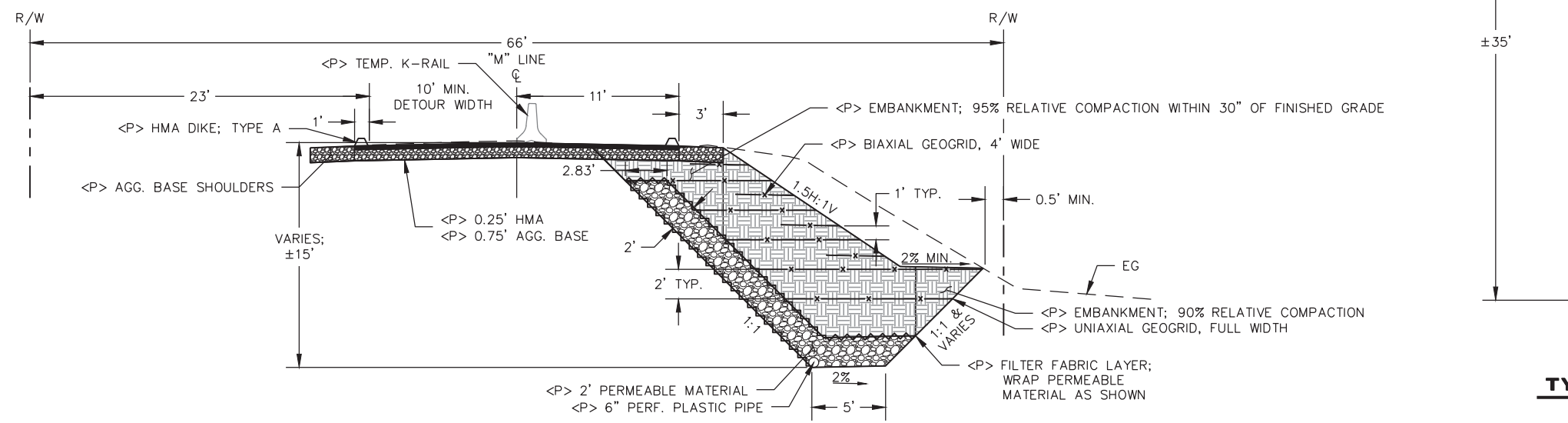
NOTES: 66' RIGHT OF WAY PER ROAD REGISTRY.  
 FILL/GRADE SHOULDER TO MAINTAIN 10' MINIMUM LANE WIDTH FOR DETOUR.  
 RESTORE SHOULDER AFTER CONSTRUCTION.



**TYPICAL RSP EXCAVATION SECTION**

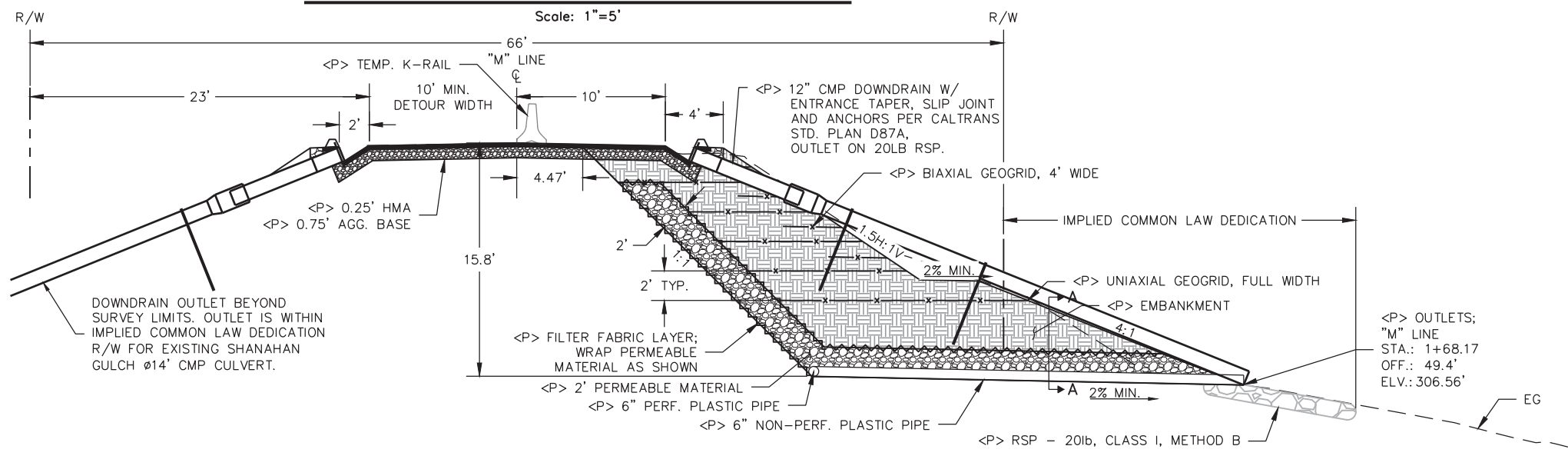
Scale: 1"=5'

NOTE: RSP TYPICAL SECTION ON SHEET 5



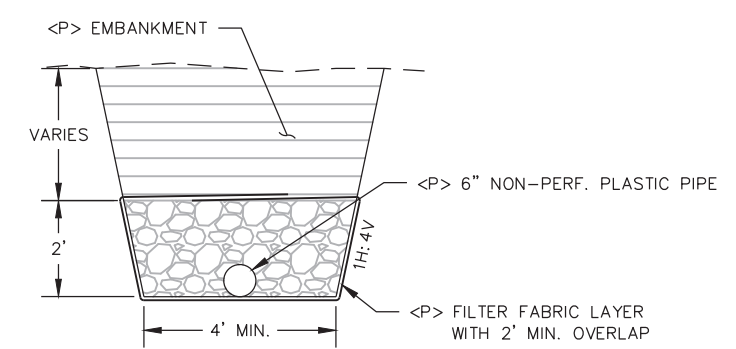
**TYPICAL REINFORCED EMBANKMENT SECTION**

Scale: 1"=5'



**DRAINAGE SECTION - 'M' LINE STA 1+68.17**

Scale: 1"=5'

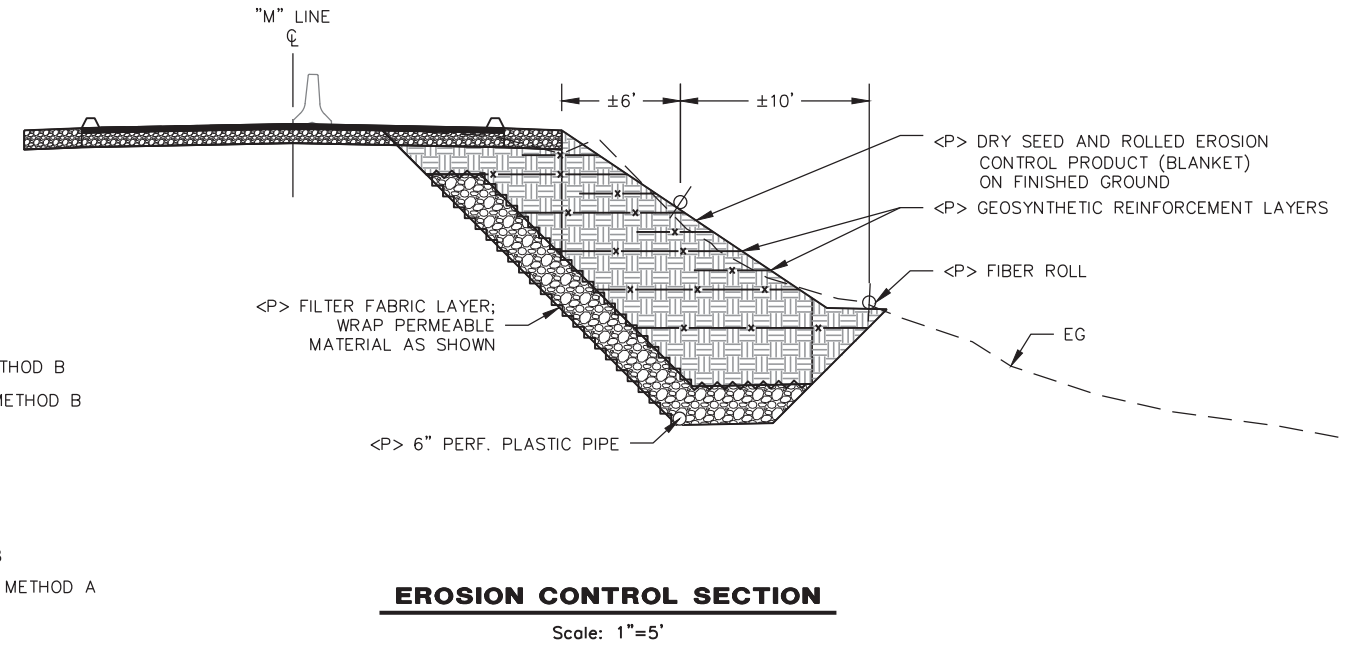
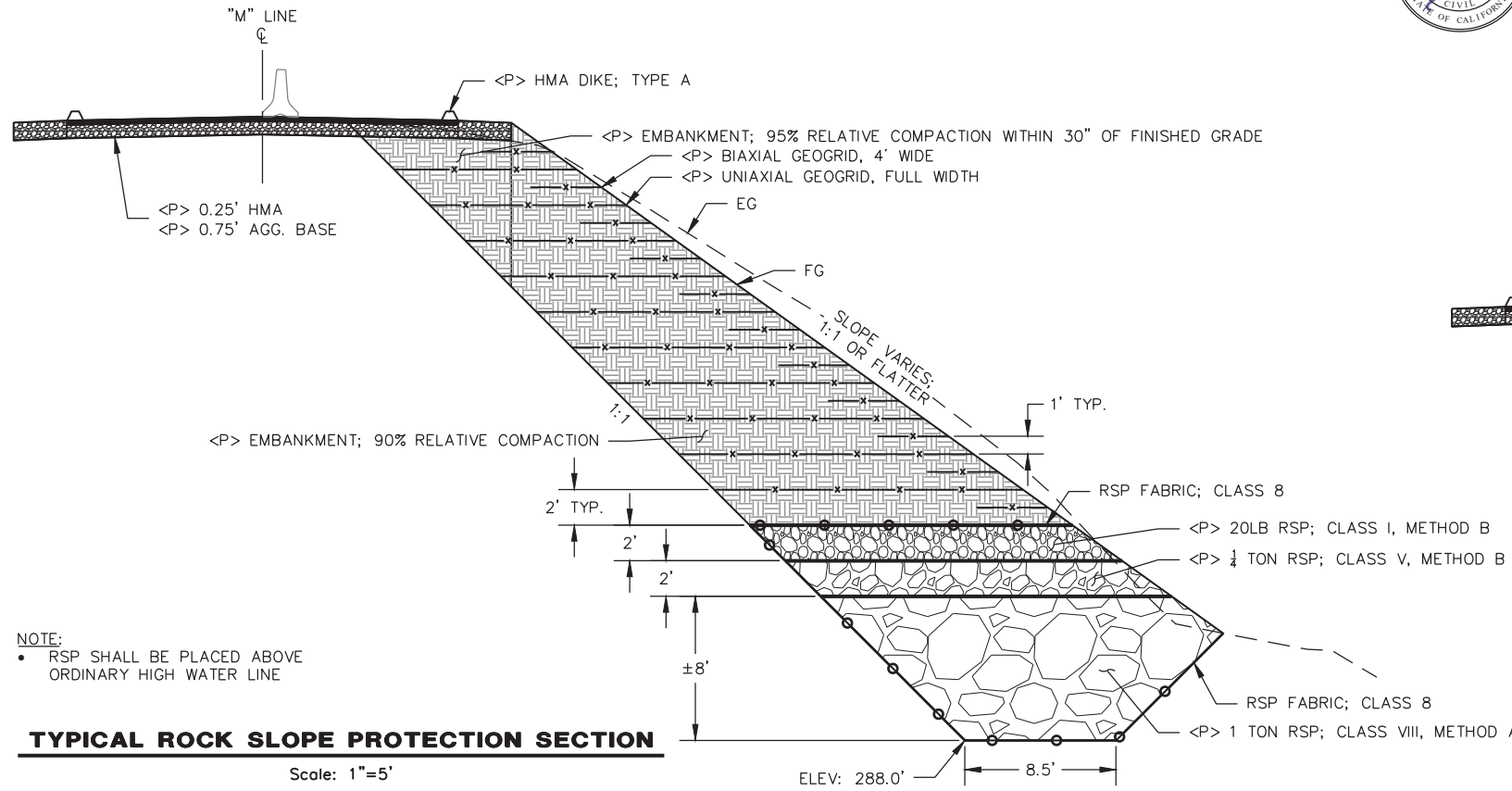


**DRAINAGE TRENCH SECTION A-A**

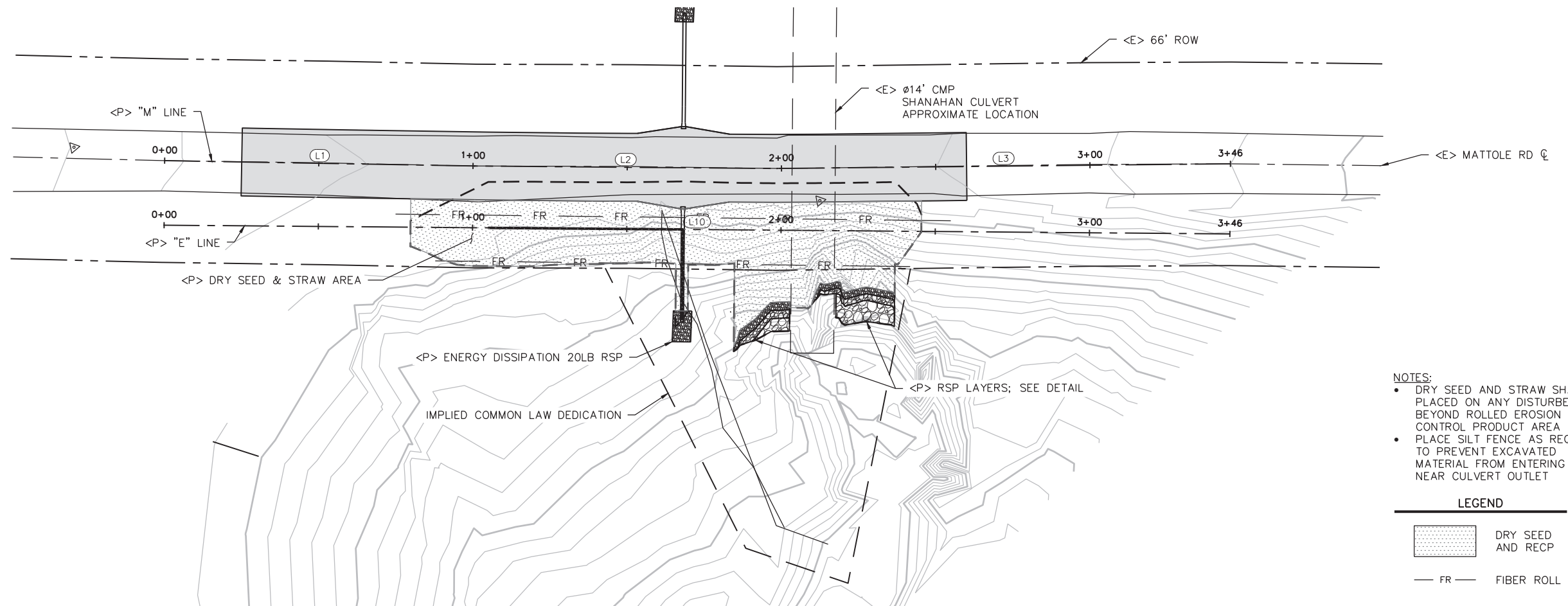
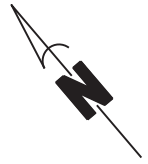
Scale: 1"=2'



ROAD NAME: MATTOLE ROAD	DESIGN SECTION: ENGINEERING DIVISION	COUNTY OF HUMBOLDT DEPARTMENT OF PUBLIC WORKS	SHEET <b>5</b> OF <b>7</b>
ROAD NO: F3C010	MILE POST: 17.83		
PROJECT NO: ER-32LO(321)PR	DESIGNED BY: RMD	EROSION CONTROL	
CONTRACT NO: 217401	DRAWN BY: RMD		
DRAWING FILE NAME: MATTOLE 17.83	REVIEWED BY: JAB		
PLOT DATE: 06/21/2023	APPROVED BY: TRS		



NOTE:  
• RSP SHALL BE PLACED ABOVE ORDINARY HIGH WATER LINE



- NOTES:
- DRY SEED AND STRAW SHALL BE PLACED ON ANY DISTURBED SOIL BEYOND ROLLED EROSION CONTROL PRODUCT AREA
  - PLACE SILT FENCE AS REQUIRED TO PREVENT EXCAVATED MATERIAL FROM ENTERING WATER NEAR CULVERT OUTLET

LEGEND

	DRY SEED AND RECP
	FIBER ROLL

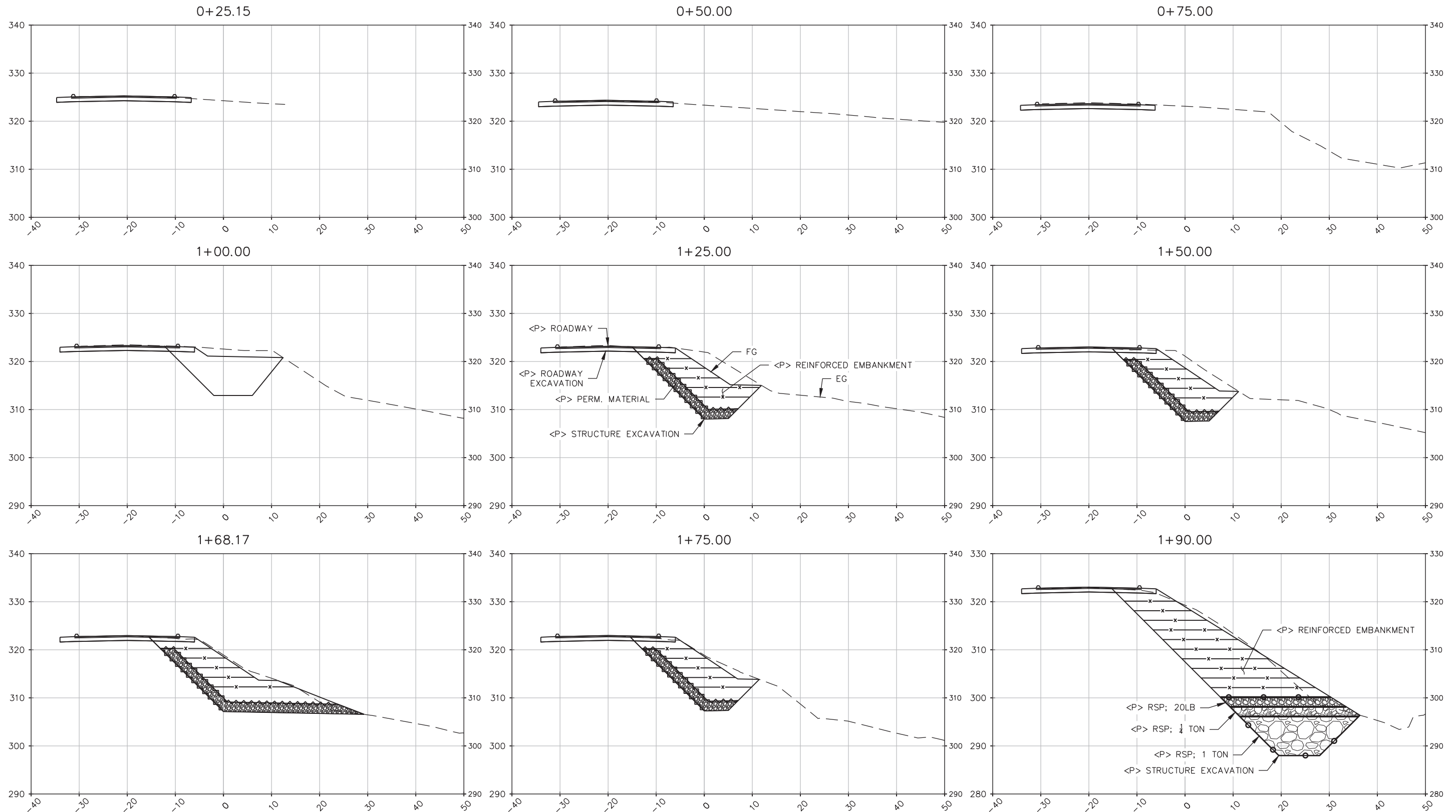


BAR IS ONE INCH ON ORIGINAL DRAWING  
IF NOT ONE INCH ON THIS SHEET, ADJUST SCALES ACCORDINGLY

ROAD NAME: MATTOLE ROAD	DESIGN SECTION: ENGINEERING DIVISION
ROAD NO: F3C010	MILE POST: 17.83
PROJECT NO: ER-32LO(321)PR	DESIGNED BY: RMD
CONTRACT NO: 217401	DRAWN BY: RMD
DRAWING FILE NAME: MATTOLE 17.83	REVIEWED BY: JAB
PLOT DATE: 06/21/2023	APPROVED BY: TRS

COUNTY OF HUMBOLDT DEPARTMENT OF PUBLIC WORKS
STORM DAMAGE REPAIR TO MATTOLE ROAD PM 17.83
SECTION VIEWS

SHEET 6 OF 7



**'E' LINE SECTION VIEWS**  
Scale: 1"=10'



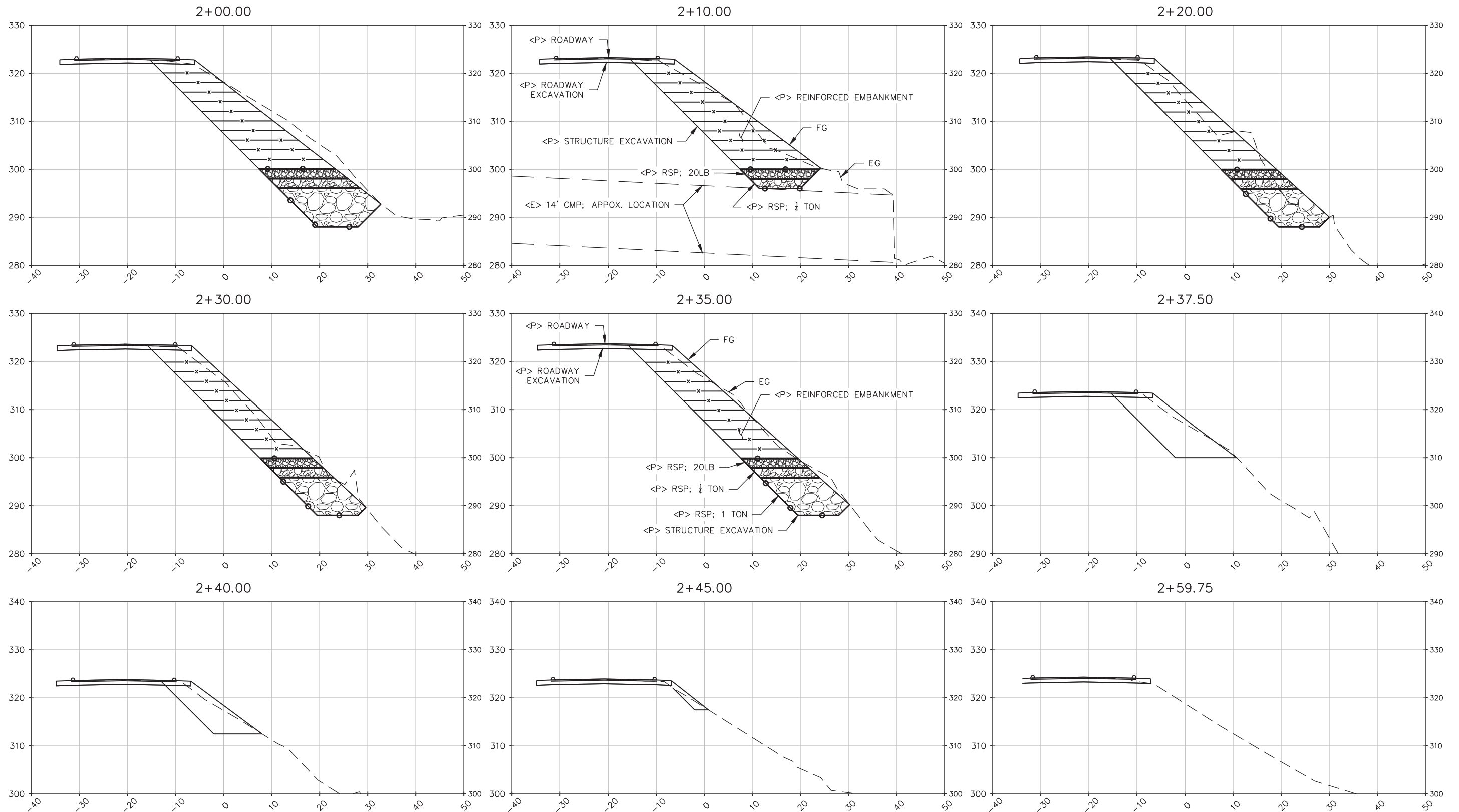
BAR IS ONE INCH ON ORIGINAL DRAWING  
IF NOT ONE INCH ON THIS SHEET, ADJUST SCALES ACCORDINGLY

ROAD NAME:	MATTOLE ROAD
ROAD NO.:	F3C010
PROJECT NO.:	ER-32LO(321)PR
CONTRACT NO.:	217401
DRAWING FILE NAME:	MATTOLE 17.83
PLOT DATE:	06/21/2023
MILE POST:	17.83

DESIGN SECTION:	ENGINEERING DIVISION
DESIGNED BY:	RMD
DRAWN BY:	RMD
REVIEWED BY:	JAB
APPROVED BY:	TRS

COUNTY OF HUMBOLDT DEPARTMENT OF PUBLIC WORKS
STORM DAMAGE REPAIR TO MATTOLE ROAD PM 17.83
SECTION VIEWS

SHEET  
**7**  
OF  
**7**



**'E' LINE SECTION VIEWS**  
Scale: 1"=10'